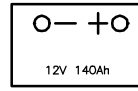


Auto Fuse



Battery



Steam Light



Circuit breaker



Port Nav Light



Alternator



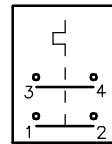
Starboard Nav Light



Start Motor



Aft Nav. Light



230V Auto Fuse



3-Colour Light



Anchor Light



230V Outlet



Deck Light



Earth



Compass Light



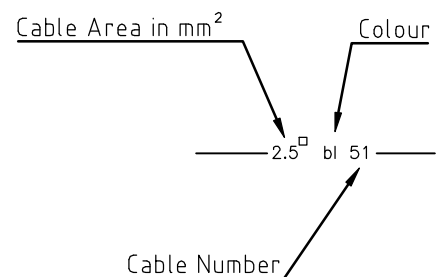
Connection Box



Marked Cable = Negative



Light with Switch (Wardrobe etc.)



Light with Switch (Lamp)



Light (Ceiling)



Switch



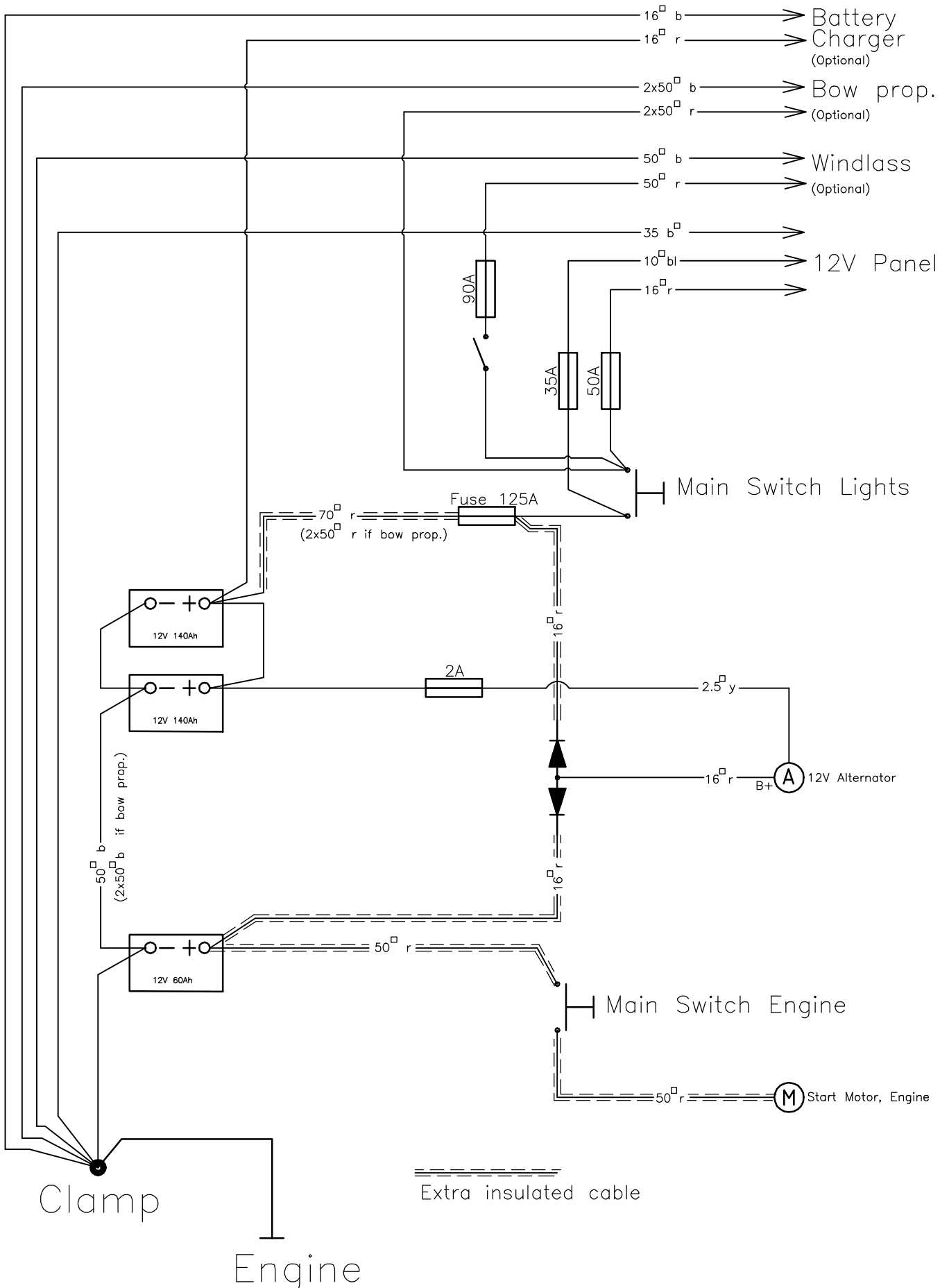
Light (Meta List)

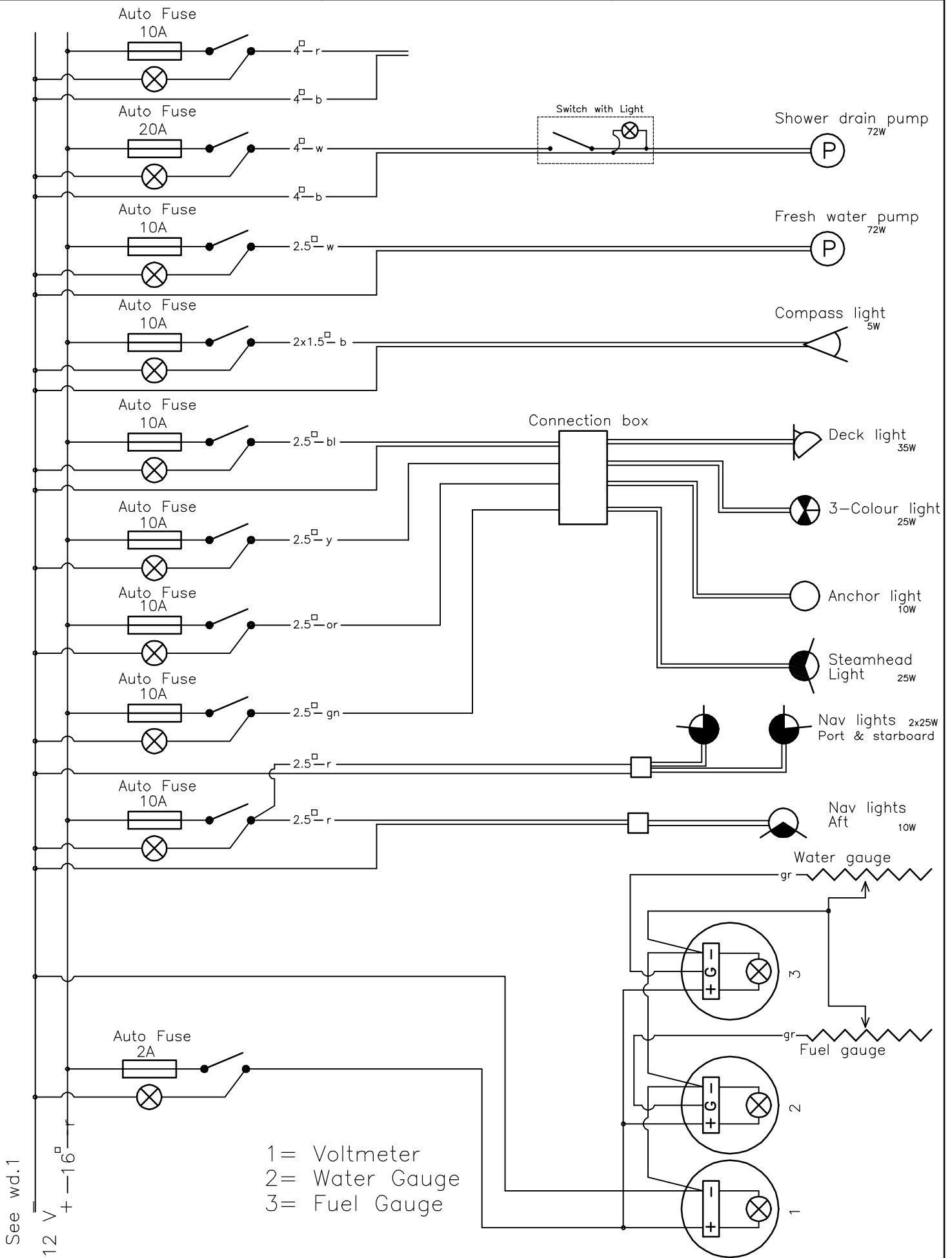


Low Current Outlet (12V or 24V)

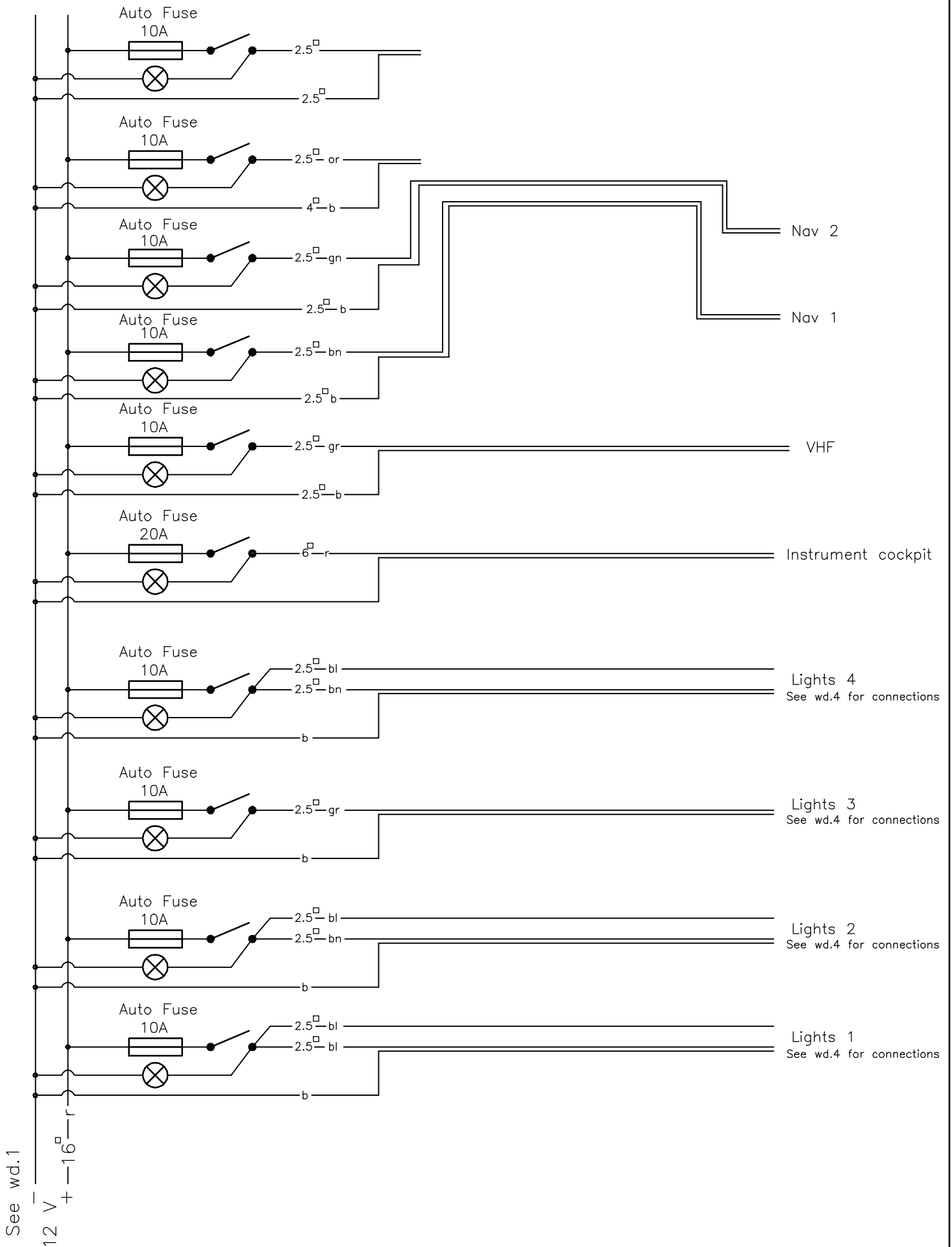
Colours:

- w = white
- b = black
- r = red
- gr = grey
- gn = green
- y = yellow
- vi = violett
- or = orange
- bl = blue
- bn = brown
- tr = transparent





See wd.1

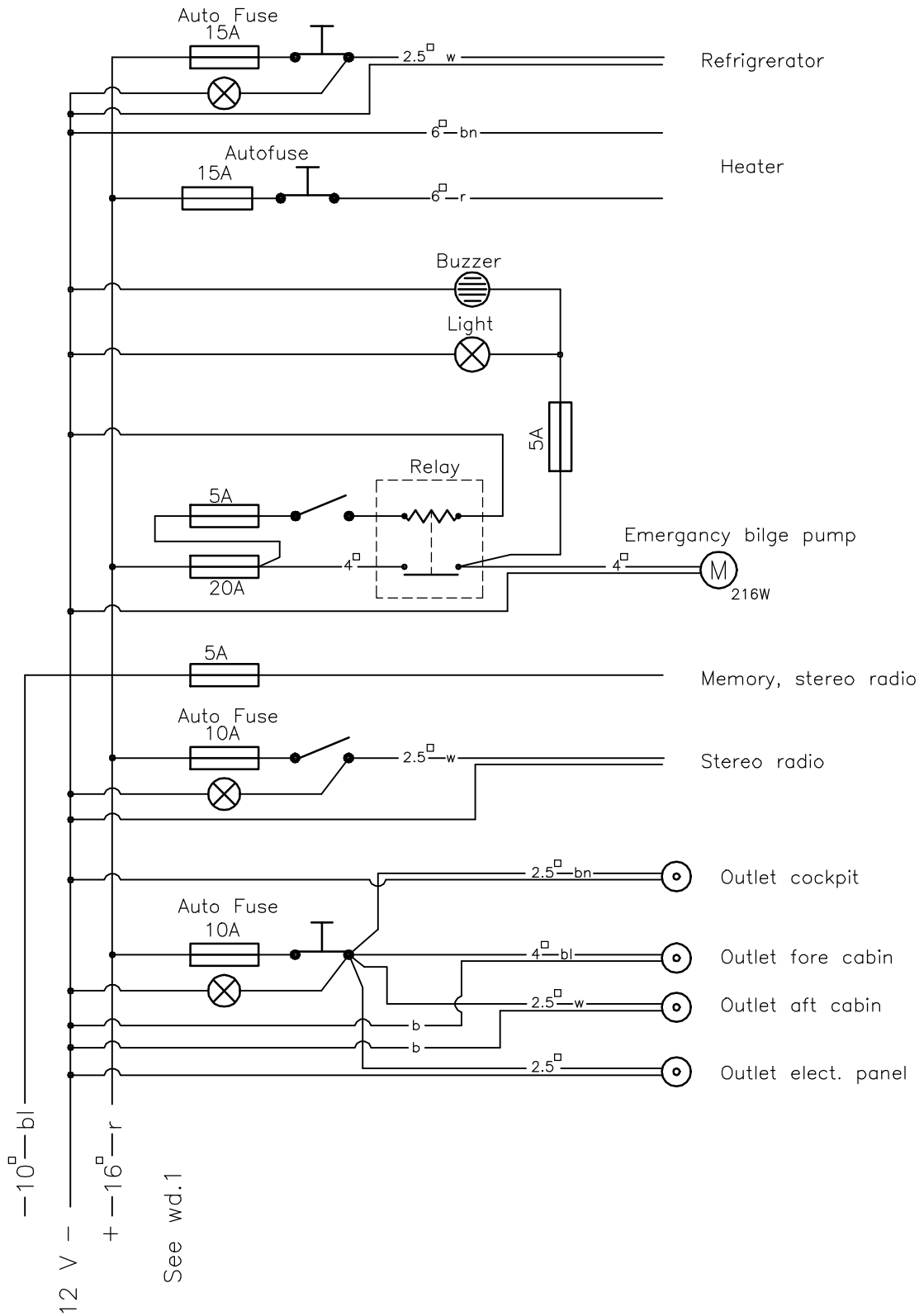


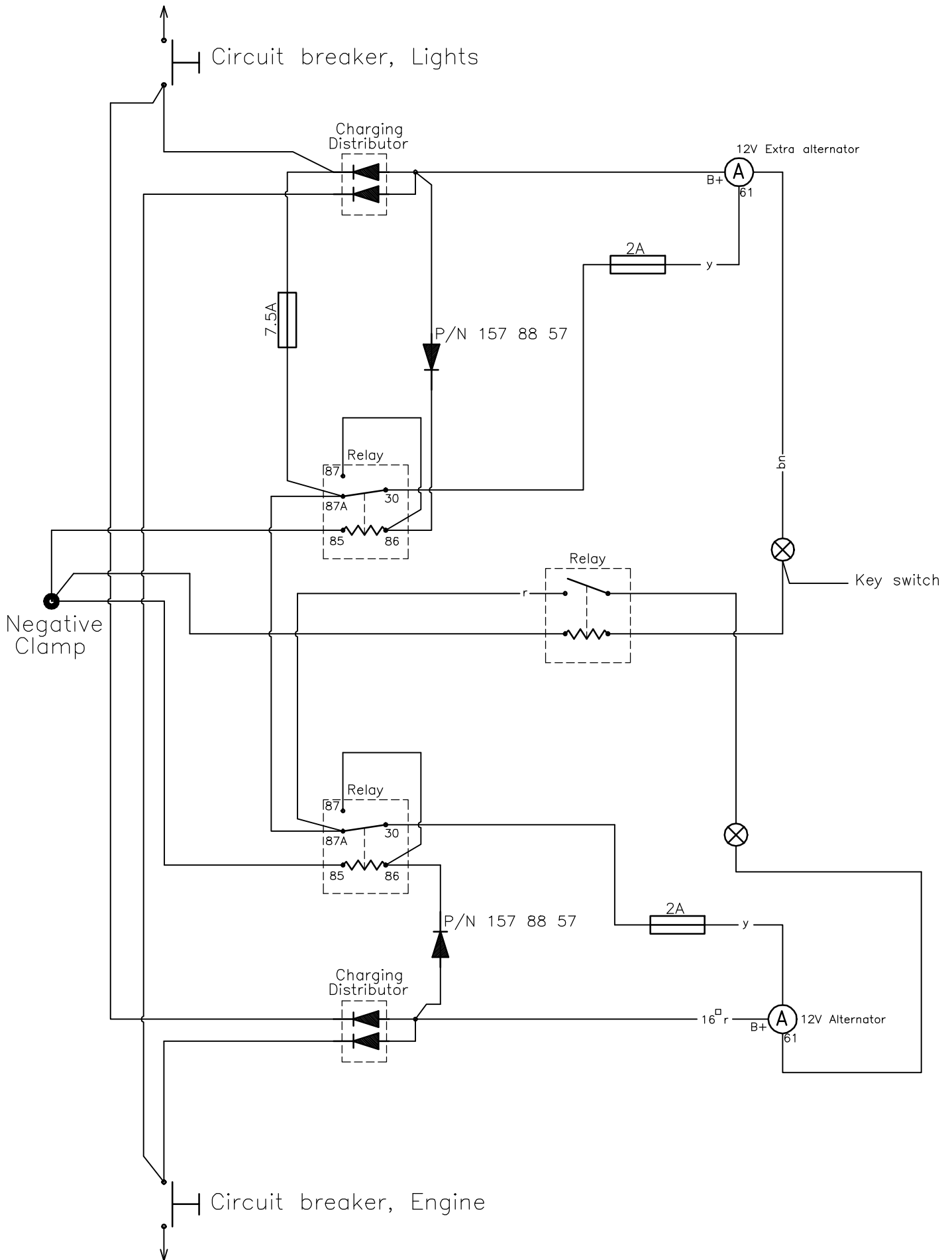
Lights 1 = Blue 2.5[□]: Light engine room
Blue 2.5[□]: Gold lamps aft cabin

Lights 2 = Blue 2.5[□]: Light chart table, gold lamp saloon port , bedlight port
Grey 2.5[□] or Brown 2.5[□]: Ceiling saloon , ceiling passage aft

Lights 3 = Grey 2.5[□]: Gold lamp saloon, ceiling toilet, ceiling passage fore, ceiling fore cabin
Gold lamp, fore cabin port

Lights 4 = Brown 2.5[□]: Gold lamp, fore cabin starboard, light galley
Gold lamp saloon starboard, bedlight starboard





Foot contacts

