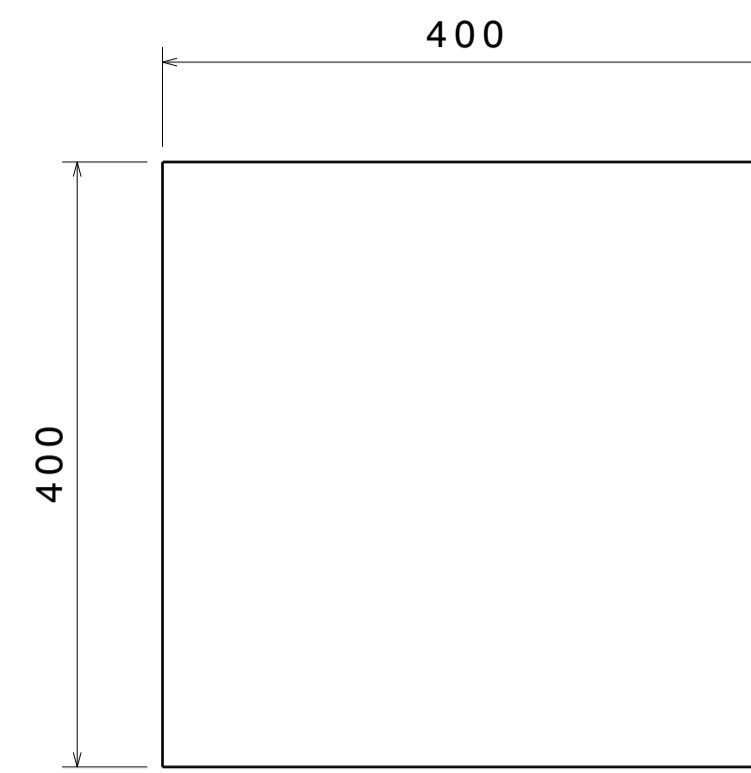
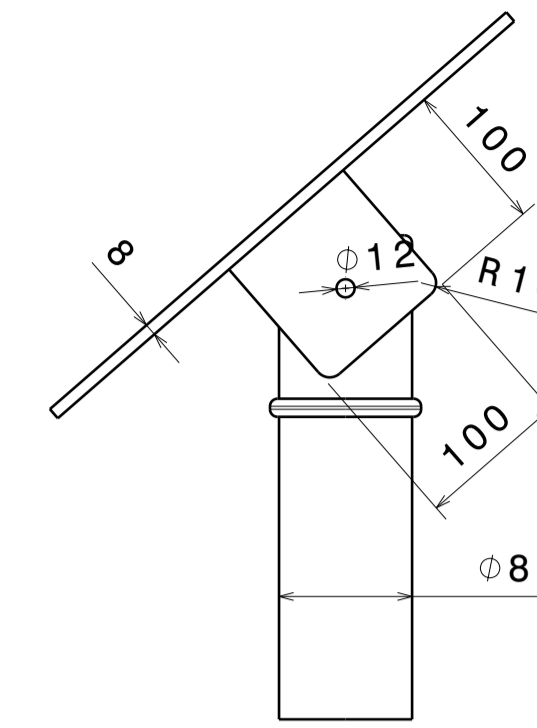


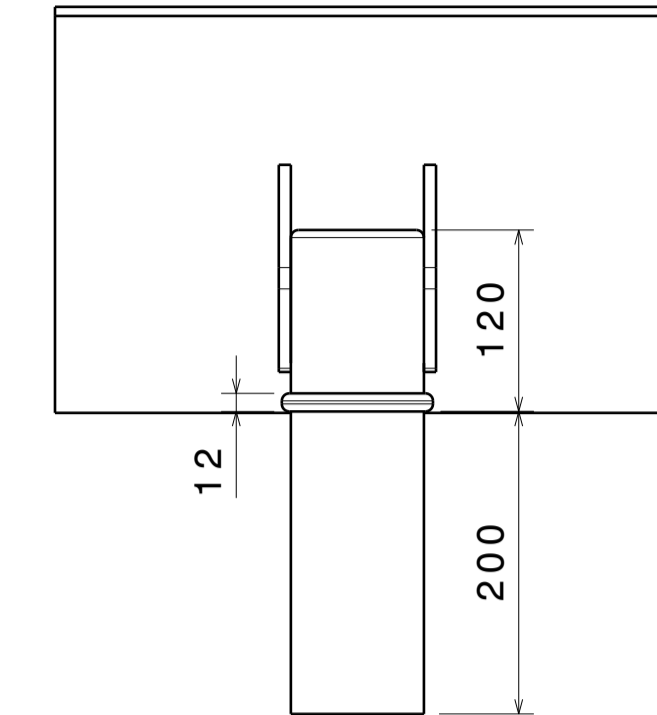
Bottom view



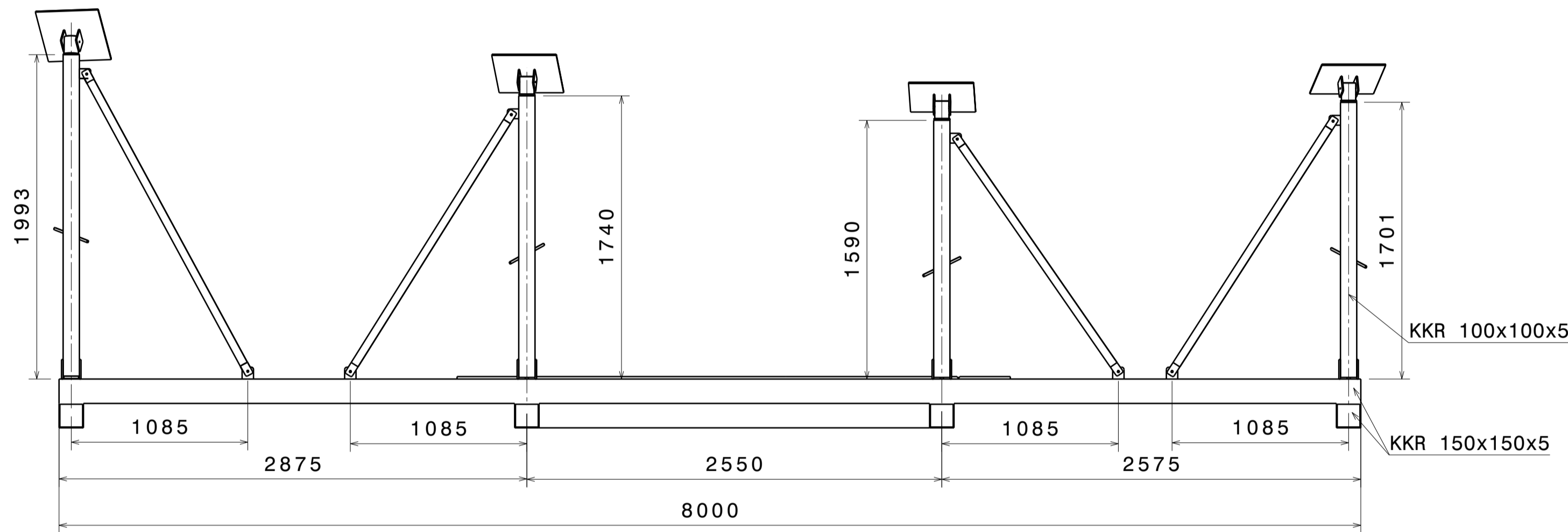
Top view
Scale: 1:5



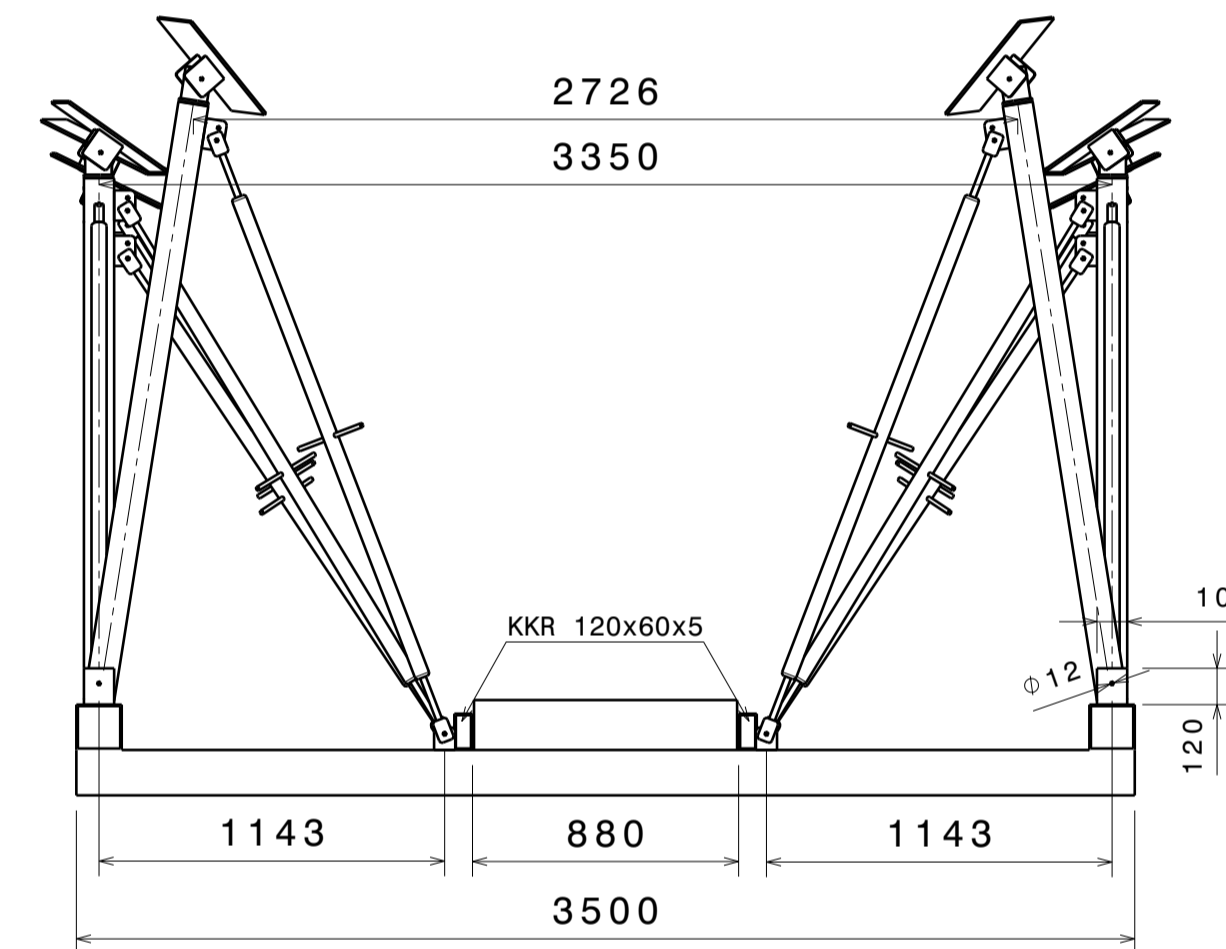
Front view
Scale: 1:5



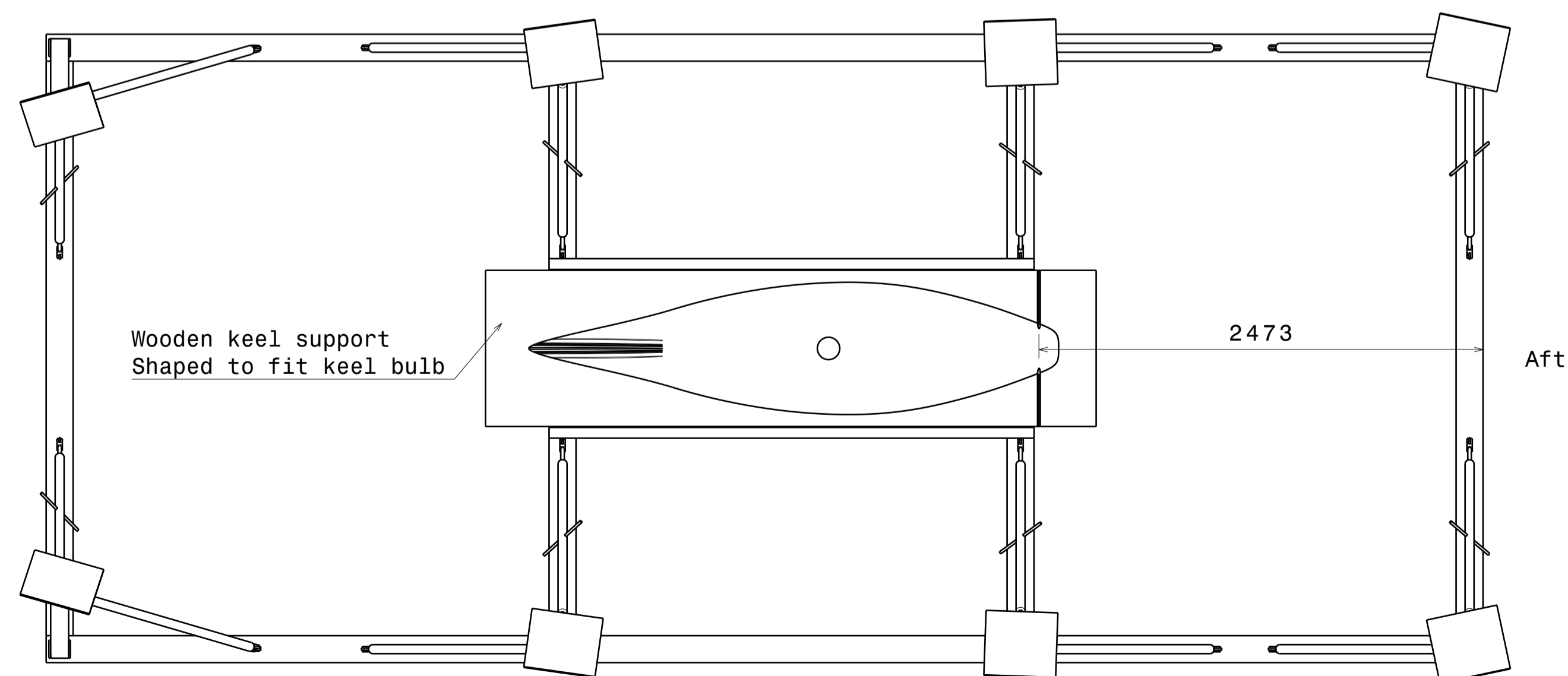
Right view
Scale: 1:5



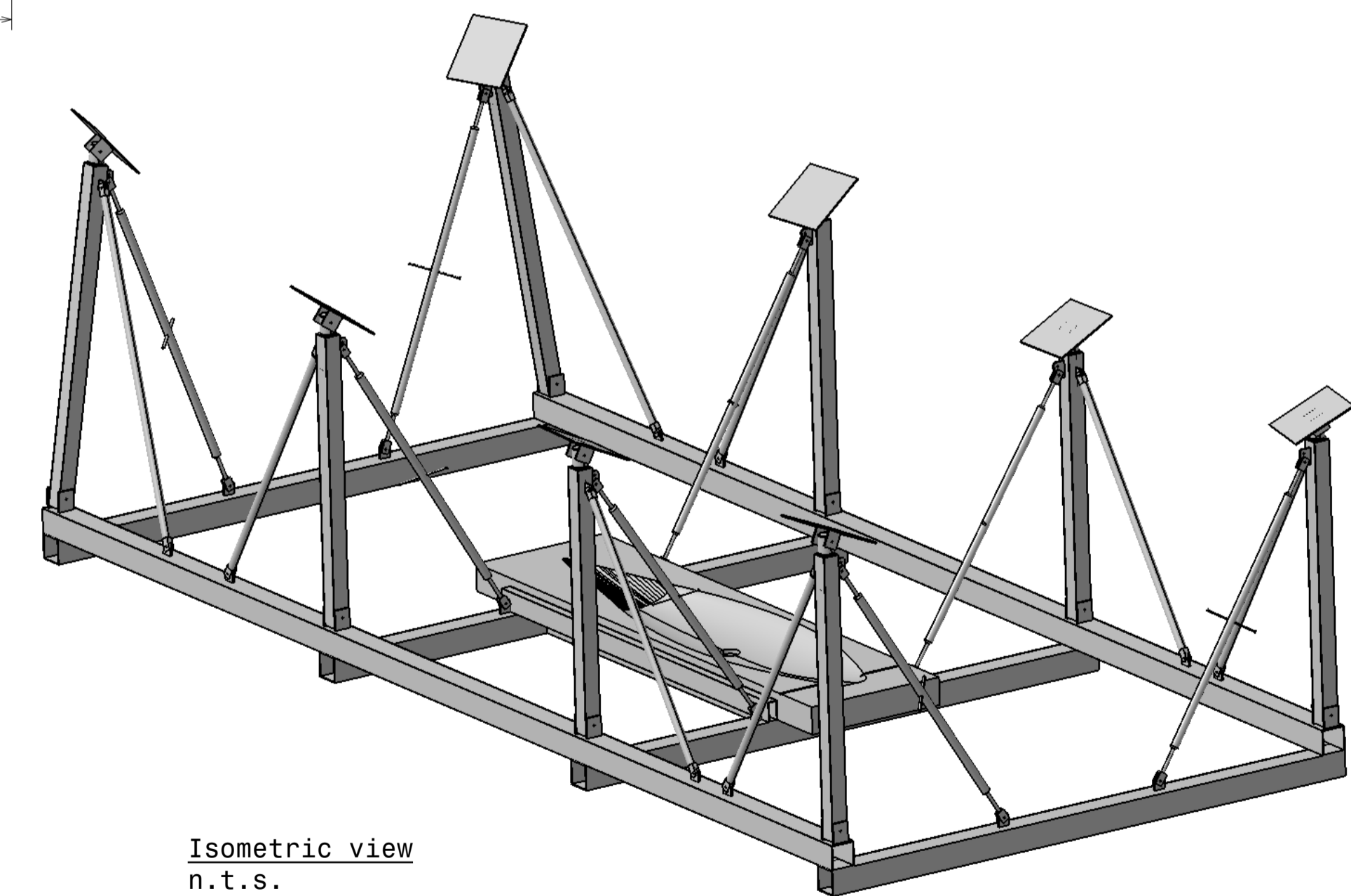
Side view



Front view



Top view



Isometric view
n.t.s.

HR64 cradle sketch.
Hallberg-Rassy renounce responsibility
regarding measurements, measurements
must be checked for each hull

ISSUE	ISSUE DATE	ACCEPTED BY	ISSUE DESCRIPTION	SCALE	
A	2010-11-02	K.Nilsson		1:25	
ARTICLE NO	DATE (mm/dd/yyyy)	MADE BY	3D INFO	FORMAT	
	11/01/2010	K.Nilsson	A-00000306	A1	
			Cradle-HR64		
<small>Hallberg-Rassy AB Hallberg-Rassyvägen 1 SE-474 31 Eklöv, Sweden</small>			<small>Drawing No D-00001460</small>		
<small>Denna ritning får ej utan vårt medgivande kopieras, eller utlämnas till tredje person. This drawing may not be copied, shown or distributed to third party without our approval.</small>					<small>SHEET 1/1</small>