

Hallberg-Rassy 43 Mk III

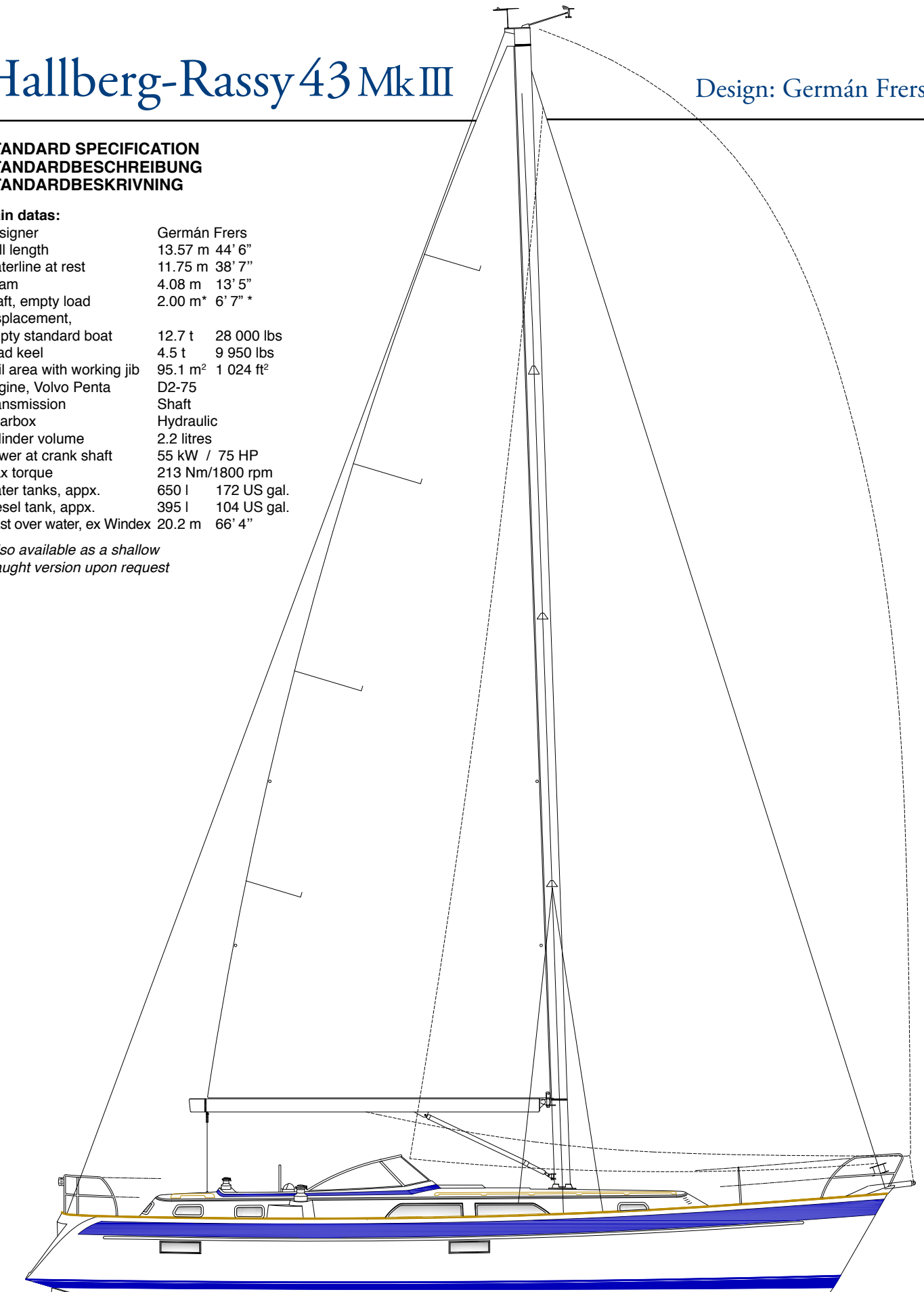
Design: Germán Frers

STANDARD SPECIFICATION STANDARD BESCHREIBUNG STANDARD BESKRIVNING

Main datas:

| | | |
|--------------------------------------|---------------------|-----------------------|
| Designer | Germán Frers | |
| Hull length | 13.57 m 44' 6" | |
| Waterline at rest | 11.75 m 38' 7" | |
| Beam | 4.08 m 13' 5" | |
| Draft, empty load | 2.00 m* 6' 7" * | |
| Displacement, empty standard boat | 12.7 t | 28 000 lbs |
| Lead keel | 4.5 t | 9 950 lbs |
| Sail area with working jib | 95.1 m ² | 1 024 ft ² |
| Engine, Volvo Penta | D2-75 | |
| Transmission | Shaft | |
| Gearbox | Hydraulic | |
| Cylinder volume | 2.2 litres | |
| Power at crank shaft | 55 kW / 75 HP | |
| Max torque | 213 Nm/1800 rpm | |
| Water tanks, appx. | 650 l | 172 US gal. |
| Diesel tank, appx. | 395 l | 104 US gal. |
| Mast over water, ex Windex | 20.2 m | 66' 4" |

**Also available as a shallow draught version upon request*



| | | |
|-----------------------------------|---------------------|-----------------------|
| Hull length | 13.57 m | 44' 6" |
| Waterline at rest | 11.75 m | 38' 7" |
| Beam | 4.08 m | 13' 5" |
| Draft, empty load | 2.00 m * | 6' 7" * |
| Displacement, empty standard boat | 12.7 t | 28 000 lbs |
| Lead keel | 4.5 t | 9 950 lbs |
| Sail area with working jib | 95.1 m ² | 1 024 ft ² |
| Engine, Volvo Penta | D2-75 | D2-75 |
| Power at crank shaft | 55 kW/75 HP | 55 kW/75 HP |
| Water tanks, stainless, appx. | 650 litres | 172 US gallon |
| Diesel tank, stainless, appx. | 395 litres | 104 US gallon |

**Also available as a shallow draught version upon request*

Hull and Deck

Laminate construction of hull: Isophtalic gelcoat, vinylester basrd barrier coat. Hand lay-up method, insulated with Divinycell PVC-foam against heat and cold except in the keel area which is solid laminate. Integrated rubbing strake with brass strip. Blue decorative band in gelcoat. Strong under floor reinforcements. Lead keel with reinforcement bolted on with 16 S/S bolts; 14 24 mm and two 20 mm bolts. The rudder is carefully mounted for sensitive rudder feel. Strong engine foundations of GRP for effective sound insulation. Deck and coachroof areas and also cockpit are of sandwich construction, solid in parts, laminated to the hull.

Deck and deck fittings

Deck, coachroof, toerail, cockpit seats, cockpit floor and side trims in top quality teak laid in silicon rubber. Also teak hand rails full length of superstructure. Strong stem fitting with integrated anchor roller. Electric windlass with capstan. Original Delta anchor 55 lbs/25 kg. Chain 70 m, 8 mm. Stowage beneath for fenders. Two strong cleats forward, aft and midships. Double stainless lifelines. Opening gates port and starboard. Two scuppers on each side which drain rain water overboard just above waterline to prevent dirt strips on the hull. Deck inlets for water and diesel tanks are on opposite sides to avoid errors. Genoa and mainsheet tracks with blocks. Genoa block adjustable from the cockpit. Selftailing genoa winches, size 55 Evo Chrome, two mainsheet winches, size 40 Evo Chrome. Hatches in foredeck, toilet compartment, saloon and in aft cabin. 12 port holes, 7 of these are opening. A stainless steel swan neck fitting by the mast for problem free threading of existing and additional mast cables. Pulpit and pushpit have opening for easy access on board. Stowage in aft deck lazarette locker. There is a separate gas locker on sb with stowage for two 6 kg PK6 gas cylinders. Integrated bathing platform in transom.

Cockpit

On starboard side there is a generous sized, dry stowage locker with storage slots for wash boards. The cockpit floor is covered with a teak grating. Wheel steering with single lever engine control. High gloss varnished folding teak cockpit table. Panel for engine instruments in the steering pedestal within easy reach of helmsman. Alcove in stb side of the cockpit coaming. Strong windscreens with handholds on the sides, opening centre section and sprayhood over front part of cockpit. The sprayhood can be rolled away neatly into a protective cover. On either side of sliding hatch there are useful teak covered work surfaces, ideal as chart tables, etc. Above the sliding hatch Raymarine instruments; one i50 Speed, one i50 Depth and i60 Wind. Chart tables and washboards in natural teak. Two large cockpit drains.

Mast and rigging

Triple spreader rig by Seldén. Main boom with outhaul and two reefs. Jib furling and reefing system Seldén Furlex. Seldén rod-kicker. Three winches, one for reefing, two selftailing for main and jib halyards. Several cleats for various uses. Spinnaker boom track and other fittings for the spinnaker equipment on mast are supplied

as standard. Generous dimensions of standing and running rigging avoid fatigue during unrestricted ocean sailing. Turnbuckles and aluminium protection tubes from Seldén, winches from Lewmar. Windex wind indicator and anchor light on mast top.

Sails

Mainsail and working jib made from dacron in special Offshore quality by Elvstrøm Sails, Denmark. Two reefs in main, battens and coded sail bags.

Accommodation details

As standard the boat has two saloon sofas and two separate aft cabin berths. As an option at additional cost, there are two armchairs available in the saloon and, also optional at additional cost, a queen size center line berth in the aft cabin with sofa to port and make up table to starboard. You may combine the saloon of your choice with the aft cabin of your choice, so that you in reality have four layouts to choose from. If armchairs or queen size berth is required, this must specifically be ordered and confirmed.

All interior woodwork in light mahogany matt silk finish. Flushed locker doors with invisible hinges and ventilation above as far as possible. Floor is varnished wood with inlaid holly strips. Saloon ceiling has panelling with mahogany strips and ceilings in remainder of boat have light lining. High quality fabric covered cushions on all berths 12 cm / 5" thick sandwich foam resting on unvarnished, well ventilated boards to avoid condensation. Hand holds are in all the right positions. The boat is carpeted, except directly in front of the galley, press studs avoid movement. All portholes are fitted with curtains. Curtains also under the skylights.

Saloon

The settee offers comfortable seating. On the port side a 2.21 m / 7' 3" long L-sofa that has backrests with hinges so that the space behind can be utilised as storage. The sofa corner is rounded. On starboard side 1.99 m 6' 6" long settee. The backrest can be lifted to enable total width to be used for sleeping accommodation. Between the settees a strong table with elegantly rounded edges and foldable sides. Top opening bar in the table. As an option at additional cost two easy chairs can be ordered. In this case the table is smaller and is fixed. Headroom in saloon 1.97 m / 6'5".

Galley

Working surface in composite stone with strong, all round mahogany fiddle rail. Carefully insulated icebox with baskets and water cooled electric compressor for chilling. Extra deep, double sink. Two burner gas cooker with oven, well gimballed with fiddle rails and locking device for oven door and also for the cooker when in use in the marina. Safety switch on gas pipe. Crockery locker and cutlery drawer. Bread board. Room for saucepans and other kitchen utensils. There are special places for the waste bin and other items.

Forward Heads Compartment

Access to the toilet compartment is freely available from any part of the boat without disturbing anybody. Bulkheads and lockers in white laminate. Teak grating. Wash basin and countertop in Corian. There is a large mirror fitted. Separate shower with watertight shower stall, plexi glass doors. Shower water drained by pump directly overboard without going into bilges. Hand switch for shower pump for utmost safety. Strong, reliable pump action toilet. Stainless holding tank, emptied by gravity or by deck pump out. Cupboard above and below washbasin. Ventilation through opening porthole and a hatch, with milk coloured acrylic glass to let light but no view in.

Forward Cabin

The door to the forward cabin has been arranged in such a way to allow free movement for dressing and undressing. Two 2.13 m/7' long berths with ample stowage above and below and in addition a number of lockers. A hatch and opening porthole.

Chart Table and Walkthrough

A comfortable chart table seat with spacious chart table. Above a shelf and space for mounting instruments. Electric panel to the right of the navigator. Five drawers and stowage slots. There is a larger rubber sealed two-door access to the engine room off the walkthrough. Good headroom in the walkthrough thanks to use of cockpit coaming for headroom. On portside there is a wet locker and various cupboards.

Aft Cabin

Aft cabin has a hanging locker on portside and two comfortable berths, one 2.00 m / 6'7" long x 90 cm / 3' wide and the other 2.00 m / 6'7" long and 1.35 m / 4'5" wide. Stowage room below and above. There is a mirror fitted. Seat between the berths. As an option at additional cost one big double centre bed and a seat on port can be ordered.

Aft Heads Compartment

As forward toilet. The separate shower has plexi glass doors. Ventilation through an opening portlight.

Engine and Engine Room

Engine Volvo Penta D2-75, 55 kW/75 HP 4 cylinder 2.2 Litres cylinder volume. Mounted with four rubber feet on strong foundations to avoid vibration and noise. Hydraulic transmission. 3 bladed fixed propeller. Water-cooled rubber exhaust pipe. Freshwater cooled engine. The hot freshwater circuit is led into a 40 L / 11 US gallon well insulated hot water tank. Due to the good insulation water remains hot for many hours after the engine has been run. The engine is served by a separate 12 V battery. There is a large filter for cooling water. The bilge pump has been installed in a position where it can be cleaned even in extremely bad weather conditions. There is space for a Diesel generator.

Diesel

Approximately 395 Litres / 104 US gallon in stainless steel tank, below the floor in saloon with fuel gauge. The tank is filled through deck inlet. Between tank and engine there is a further large water and coarse filter in addition to the one on the engine. The cruising range at 2/3 of full revs in calm waters is approximately 690 nautical miles, provided that the optional Gori propeller with overdrive is ordered.

Water

Water capacity is approximately 650 litres / 172 US gallon in two tanks, the main tank under the floor holding appx 420 litres / 111 US gallon and the extra tank under the settee 230 litres / 61 US gallon. The upper tank is piped to lower tank and controlled by a stop valve. There is a water gauge for the main tank. The water goes to a pump and then on to a 2 litres pressure equalising tank, and from there via a manifold is distributed to a 40 Litres / 11 US gallon hot water calorifier (heated by 230 V and the engine's cooling water) and the cold water system. As soon as a water tap is turned on the water which is under pressure in the pipes starts to flow. As soon as the pressure reduces the electric pump begins to work and will continue until the pressure is built up again after closing tap. Filling of water tanks is through deck inlet. Carbonfilter. There are three bilge pumps; one manual, one electric and one high capacity electric emergency bilge pump that is floodable.

Electricity

Two separate circuits, one with 12 Volt and 75 Ah battery for engine start and one 12 Volt 460 Ah deepcycle for general use on board, the latter being covered by four batteries. Charging of batteries is by 115 A alternator from engine. Lighting throughout the boat is located in all the important positions. There are attractive adjustable halogen lights above berths and settee. Electric sockets at inner chart table and in the cockpit. Electric panel with circuit breakers at inner chart table. There is a water and diesel meter. LED navigation lights and LED steaming light. Anchor light. The electric panel has provision for additional outlets. A wiring diagram

is supplied with each boat.

Heating

Webasto Airtop 5000 Diesel, 5 kW, with outlets in saloon, forward cabin, toilet compartments and aft cabin. As far as possible double heater hoses are used in each other for insulation purpose. Also the hull is well insulated and therefore heating and consequently electric consumption will be minimal. The heating exhaust flue is led outside through the blue decorative stripe. The heating is installed in the engine room and is easily accessible for servicing. All outlets, except in the saloon, can be regulated separately.

Refrigeration

A water cooled Isotherm SP system with Danfoss compressor unit for refrigeration is fitted for the icebox, extremely economical to run. Operated from a 12 Volt supply and providing batteries are in good condition, refrigeration should last 5-6 days without recharging being necessary.

Ventilation

Four hatches, 7 opening port holes, companionway washboards, 5 vents for saloon, aft cabin and forward heads compartment. Separate electric engine room ventilation.

Steering

Lewmar wheel steering. Cardan linked rod steering which is progressive combines safety and fine feel in the best possible way. Illuminated compass, single engine control lever and leather covered steering wheel.

Safety and General

All outside skin fittings are speedily and securely sealed by using ball-valves with Delrin-sealer. Double hose clips are used under water. For the toilet special non-diffusing hoses are used. All electric cables are, where possible, laid in special tubes and where this is not possible, cables are safely loomed away from the hull. There are large limber holes so that any water can easily drain to the bilge. The bilge is accessible by a removable floor panel without having to remove the steps. Inspection hatches for easy access to stop cocks and speed transducer. Four fire extinguishers, one fitted to the saloon table, one in the forward cabin, one in the aft cabin and one in the cockpit locker.

Type of Finish

The interior is treated with a two component silk finish varnish. The underwater hull has two applications of epoxy primer and two coats of antifouling.

Certification

The boat is CE certified by Germanischer Lloyd and delivered with a CE certificate and a CE plaque for category A (unlimited ocean voyages).

Loose Equipment

- Flagstaff
- Boat hook
- 6 Fenders, 63 cm / 25"
- 4 Mooring lines 10 m / 33'
- Emergency tiller
- Main sail cover (not supplied if in mast furling is ordered)
- 1 Winch handle

Alternative Options At No Extra Cost

- Portside settee to enable full width of berth to be used for sleeping as on starboard settee. Straight corner.

Modifications reserved. Chosen extra equipment may affect this standard specification. Drawings are for orientation only. Measurements are not to be taken from these. Drawings may show options at additional cost.

Standardbaubeschreibung D E U T S C H

Rumpf und Deck

Das Laminat ist handaufgelegt. Der Rumpf wird über Wasser mit geschlossporigem Divinycellschaum, gegen Wärme und Kälte, isoliert. In den Rumpf integrierte Scheuerleiste mit Messingschiene. In das Gelcoat eingelegter, blauer Dekorstreifen. Durchgehende GFK-Stringer unter dem Fußboden. Der Bleikiel mit tiefem Schwerpunkt wird mit 16 Edelstahlkielbolzen (14 Stück 24 mm und zwei 20 mm) untergebolzt. Das Ruder ist sorgfältig gelagert, für ein sensibles Rudergefühl. Motorenfundament massiv in Kunststoff für beste Schalldämmung. Aufbau in Sandwichlaminat, stellenweise massiv. Rumpf und Deck werden zusammenlaminiert. Rüsteisen auf einlaminierten Hilfsschotten. Maststütze aus massivem Holz. Die Schotten sind beidseitig anlaminiert, an Rumpf und Aufbau.

An Deck

Deck, Aufbau, Cockpit, Cockpitreling, sowie Schanzkleid mit Teak. Handläufe über die gesamte Länge des Aufbaus in Teak. Stabiler Stevenbeschlag mit integrierter Ankerrolle. Elektrische Ankerwinde mit Leinentrommel, Original 25 kg Delta-Anker und 70 m Kette, 8 mm. Stauraum für Kette und Fender in großem Ankerkasten. Auf dem Schanzkleid vorn, achtern und mittschiffs je zwei Belegklampen. Bug- und Heckkorb mit Öffnung für leichtes An-Bord-kommen. Seereling mit vier Stützen und doppelten Zügen. Seereling zum Öffnen. Jeweils zwei 25 mm Wasserabläufe auf jeder Seite im Deck, die das Regenwasser kurz über der Wasserlinie über Bord leiten, um Schmutzstreifen am Rumpf zu vermeiden. Decksverschraubungen für Wasser- und Dieseltanks auf getrennten Seiten um Verwechslungen zu vermeiden. Vorsegel- und Großschotwschienen mit Blöcken, die vom Cockpit aus, stufenlos, verstellbar sind. Zwei Vorsegelschotwschienen Lewmar 55 Evo Chrome selbstholend und zwei Grossschotwschienen Lewmar 40 Evo Chrome selbstholend. Skylights im Vordeck, im vorderen Toilettenraum, im Salon und in der Achterkajüte. 12 Seitenfenster im Aufbau, davon 7 Stück zu öffnen. Neben dem Mast ein Schwanenhals aus rostfreiem Stahl zum Durchführen der Mastkabel. Stauraum im Achterdeck, zugänglich durch zwei Luken. Im Gasfach an Deck Stb ist ein separater Stauplatz für zwei 6 Kilo Gasflaschen (PK6).

Cockpit

An Stb. große trockene Backskiste mit Staufach für die Niedergangsschotten. Teakgrätting auf dem Cockpitboden. Radsteuerung mit Einhebelschaltung, Instrumentenpaneel für Motorstart und Überwachung in der Steuersäule, für den Steuermann leicht erreichbar. Zwei grosse Cockpitlenzer. Schwalbennest an stb. Stabile Windschutzscheibe mit gehärteten Glasfenstern, mit Mittelteil zum Öffnen und Sprayhood über den vorderen Bereich des Cockpits. Die Sprayhood kann nach vorne weggeklappt und unter einer Schutzpersenning verstaut werden. Hochglanzlackierter Teakholz-Cockpittisch an der Steuersäule. Auf beiden Seiten des Schiebeluks Abstellflächen mit Schlingerleisten aus Teakholz die als Ablage, Kartentisch, etc. genutzt werden können. Niedergangsschotten und Abstellflächen in Teak natur (unlackiert). Über dem Schiebeluk Raymarine-Instrumente: 1x i50 Log, 1 x i50 Echolot und 1 x i60 Wind.

Mast und Rigg

3-Sailing-Rigg von Seldén. Grossbaum mit zweifachem Patentreff und Unterliekstreckler. Rodkick von Seldén. Vorsegelrollreiffanlage Seldén Furlex. 3 Winschen für Reffen, Gross- und Fockfall und diverse Klampen am Mast. Spinnakerbaumschiene zum Führen der Spinnakerausrüstung am Mast fertig vorbereitet. Kräftig dimensioniertes stehendes und laufendes Gut, für lange Lebensdauer. Wantenspanner und Aluminiumschutzrohren von Seldén. Gross- und Fockschot. Winschen von Lewmar. Club- und Gastflaggenleinen. Ankerlicht und Windex am Masttopp.

Segel

Grossegel und Kreuzfock aus Dacron in Offshore-Ausführung von Elvstrøm Sails, Dänemark. Losfußgrossegel mit zwei Reffreihen, Mastnutrutschern, Segellatten und Segelsack.

Einrichtung Ausbauvarianten

In der Standardausführung hat die Yacht zwei Salonsofas und zwei getrennte Kojen achtern. Gegen Aufpreis kann der Salon mit einem Sofa und zwei Sesseln, und die Achterkabine mit einem mittig

angeordneten Doppelbett, Sofa an Backbord und Make-Up-Tisch Stb, ausgestattet werden. Diese Varianten können jeweils mit der Standardausführung kombiniert werden, somit ergeben sich vier Ausbaupvarianten. Die Sessel und das Doppelbett müssen speziell bestellt und bestätigt werden.

Alle Innenarbeiten in hellem Mahagoni, mattlackiert. Alle Schotten und Holzoberflächen wie Tischplatte, Kartentisch, usw. sind so ausgesucht, dass Furnier und Schnittholz zusammenpassen. Alle Schränke sind, soweit möglich, mit Ventilationsgittern oberhalb der Schranktüren versehen. Lackierter Fussboden in Teakholz mit hellen Dekorstreifen. Helles Deckenpaneel akzentuiert mit Mahagoni-Dekorstreifen im Salon. Die übrige Decke in hellen Paneelen. 12 cm dicke Matratzen auf allen Kojen. Um Kondenswasser zu vermeiden, liegen die Matratzen auf unlackiertem und mit Ventilationslöchern versehenen Kojenbrettern. Handläufe an allen wichtigen Bereichen. Teppich, mit Ausnahme der Pantry. Der Teppich ist mit Druckknöpfen befestigt, um Verrutschen zu vermeiden. Gardinen an den Seitenfenstern und unter den Skylights.

Salon

Stehhöhe 1,97 m. Für den Ausbau des Salons werden zwei Alternativen angeboten: **1)** Standard: Bb. 2,21 m langes L-Sofa mit abgerundeter Ecke. Das Sofa erlaubt eine bequeme Sitzhaltung die dem Bordgebrauch angepasst ist. Das Stb Sofa ist 1,99 m lang und hat eine hochklappbare Rückenlehne. Dadurch kann die gesamte Sitzfläche bis zur Bordwand als Koje genutzt werden. Die Rückenlehne an Bb. kann geklappt werden, so dass der Stauraum dahinter genutzt werden kann. Es sind 6 Schlafplätze an Bord vorhanden. Zwischen den Sofas steht ein stabiler Tisch mit elegant abgerundeten Kanten und beidseitig klappbaren Flügeln. Im Tisch befindet sich ein Flaschenfach. **2)** Gegen Mehrkosten: BB Sofa wie Alternative 1, zwei festmontierte Sessel an Stb. mit Schränken dazwischen. Dazu lose, verstaubare Stühle, um rund um den Tisch richtig sitzen zu können. Der Salontisch ist etwas kleiner und hat eine feste Tischplatte mit Flaschenfach. Es sind 5 Schlafplätze an Bord vorhanden. Das Übrige bleibt unverändert.

Pantry

Arbeitsfläche in Kompositstein mit umlaufender kräftiger Mahagonischlingerleiste. Sorgfältig isolierte Eisbox mit Aufbewahrungskörben und Kühlaggregat. Doppeltes Abwaschbecken, seegerecht in extra tiefer Ausführung. 2-flammiger, halbkardanisch aufgehängter Herd/Backofen mit viel Platz zum Pendeln. Der Herd ist ausgerüstet mit Topfhaltern, einer Verriegelung für die Backofentür und einem Schieberiegel, um den Herd im Hafen festzusetzen. Sicherheitsabsperrentil in der Gasleitung unter dem Herd. Unter-teilter Geschirrschrank und Besteckkasten. Schneidebrett. Platz für Töpfe und alle Kleinigkeiten, die man in der Pantry braucht. Unter der Spüle ist Platz für einen Abfallbehälter.

Toilettenraum vorne

Schotten und Schränke in weissem Laminat. Duschwanne sorgfältig abgedichtet. Teakgrätting, Waschbecken und Abstellfläche aus Corian. Grosser Spiegel. Die separate Dusche hat Plexiglastüren. Eine wartungsfreie, elektrische Duschabsaugpumpe fördert das Duschwasser direkt Aussenbords. (Es gelangt kein Abwasser in die Bilge) Für grössere Betriebssicherheit wird die Duschpumpe per Hand geschaltet. Der gesamte Toilettenraum ist leicht sauber zu halten. Stabile Pump toilette. Der Fäkalientank kann auf See durch Gravitation oder im Hafen durch einen Decksabsaugbeschlag entleert werden. Schränke über und unter dem Waschbecken. Ventilation durch ein zu öffnendes Fenster und ein Skylight. Stehhöhe zirka 1,91 m.

Vorpiek

Zwei 2,13 m lange Kojen mit viel Stauraum darüber und darunter. Die Tür zur Vorpiek ist so angeordnet, dass noch genügend Bewegungsfreiheit vorhanden ist, um sich umzuziehen. Weitere Schränke befinden sich zwischen Koje und Hängeschrank. Ein Skylight und ein Fenster zum Öffnen sorgen für Licht und gute Belüftung.

Kartentisch und Durchgang

Bequemer Navigationssitz mit grossem Kartentisch und Kartenfach darunter. Darüber befindet sich ein Instrumentenregal mit Platz für die Montage von Instrumenten. Seitlich befinden sich fünf Schubladen und Staufächer. Im Durchgang nach achtern befinden sich zwei große Türen zum Motorraum, die

sorgfältig isoliert und abgedichtet sind. Durch Ausnutzung des Cockpitsüls ergibt sich eine grosszügige Durchgangshöhe von zirka 1,84 m. An Bb. ist ein Kleiderschrank für Segelkleidung, daneben befinden sich verschiedene Schränke und die Elektrozentrale, die leicht überschaubar und geschützt angeordnet ist.

Toilettenraum achtern

Bauausführung entsprechend des Toilettenraumes im Vorschiff. Separate Dusche mit Plexiglastüren. Ventilation durch ein zu öffnendes Fenster.

Achterkajüte

Die Achterkajüte ist durch eine Tür im Durchgang erreichbar. Direkt an Bb. ist ein Kleiderschrank, dahinter befinden sich zwei bequeme Kojen, die eine 2,00 m lang und 90 cm breit, die andere 2,00 m lang und 1,35 m breit. Über und unter der Kojen befinden sich Stauräume. Am Motorraumschott ist ein Spiegel. Alternativ gegen Aufpreis ist eine extra breite Doppelkoje in der Mitte, mit Sofa Bb möglich.

Motor und Motorraum

Der Volvo Penta Motor D2-75, 55 kW/75 PS, 2,2 Liter Hubraum, mit Turbo, 4-Zylinder, ist mit vier Schwingungsdämpfern auf einem schwerem Fundament montiert, um Vibration und Schall zu vermeiden. Der Motor ist zweikreisgekühlt. Die feste Welle hat eine wartungsfreie Wellenabdichtung und ein wassergeschmiertes Wellenlager. Hydraulisches Getriebe. Dreiflügliger Festpropeller. Nasse Abgasleitung in Gummi. Der 40 Liter-Warmwasserbehälter wird über das Motorkühlwasser oder 230 V Landstrom erhitzt. Durch die gute Isolierung des Warmwasserbereiters bleibt das Wasser auch über Nacht warm, so dass am Morgen genug warmes Wasser zum Duschen vorhanden ist. Der Motor wird durch eine separate 12 V Batterie versorgt. Grosser Filter für Kühlwasser. Die Lenzpumpe ist so montiert, dass sie auch unter schlechten Bedingungen gereinigt werden kann. Platz für einen Dieselgenerator ist vorhanden.

Diesel

Zirka 395 l Diesel in rostfreiem Tank, unter dem Salonboden, mit Tankmesser. Zusätzlich zum Dieselfilter am Motor wird ein extra grosser Dieselfilter mit Wasserabscheider im Motorraum installiert. Die Reichweite bei 2/3 Gas in ruhigem Wasser beträgt zirka 690 Seemeilen, vorausgesetzt dass man den Goriropeller mit Overdrive bestellt hat (Extraausrüstung).

Wasser

Zirka 650 l Wasser, verteilt auf 420 l im Haupttank unter dem Fussboden und 230 l im Extratank unter dem Sofa. Die Tanks sind über ein Absperrventil verbunden. Tankmesser im Haupttank. Automatische Druckwasserpumpe mit 2 Liter Druckausgleichsgefäß. Warmwasserboiler, 40 l, beheizt durch 230 V Heizstab und vom Kühlwasser vom Motor. Wasserverteiler, separat für Warm- und Kaltwasser, im Motorraum mit separaten Leitungen zu allen Zapfstellen. Aktivkohlefiltersystem. Auffüllen des Wassers von Deck. Drei Bilgpumpen; eine manuelle, eine elektrische und eine elektrische Tauchlenzpumpe mit viel Kapazität für Notfälle.

Elektrik

Zwei separate Stromkreise, einer mit 12 V und 75 Ah Batterie für den Motorstart und ein zweiter, 12 V 480 Ah, für die übrige Versorgung an Bord, dieser letztere verteilt sich auf vier Batterien á 230 Ah 6 V Deepcycle. Batterieladung durch Drehstromgenerator, 115 A, vom Motor. Halogenlampen an allen strategisch wichtigen Stellen in die Decke eingelassen. Über den Kojen verstellbare rostfreie Lampen mit Halogenbirnen. Über dem Sofa Dekorationsbeleuchtung mit indirektem Licht. 12 V Steckkontakte am Kartentisch und im Cockpit. Sicherungsautomaten mit Schaltern, auf einer Elektrozentrale neben dem Kartentisch. Wasser- und Dieseltankanzeige. LED Navigationslampen und LED Dampferlicht. Ankerlicht. Die Elektrozentrale ist für den nachträglichen Einbau von weiterer Ausrüstung vorbereitet. Ein Schaltschema wird mitgeliefert.

Instrumente

Über dem Schiebeluk Raymarine-Instrumente: 1x i50 Log, 1 x i50 Echolot und 1 x i60 Wind. Magnetkompass, Drehzahlmesser und Voltmeter für Motorstart auf der Steuersäule. Innen Tankuhr für

Diesel und Frischwasser.

Heizung

Warmluftheizung Webasto Airtop 5000 Diesel, 5 kW, mit Auslässen im Salon, in der Vorpiek, in beiden Toilettenräumen und in der Achterkajüte. Die Heizungsschläuche sind so weit wie möglich isoliert, um den besten Wirkungsgrad zu erzielen. Der Rumpf ist wärmeisoliert, daher sind der Heizungsbedarf und der damit zusammenhängende Strombedarf minimal. Das Abgasrohr der Heizung wird in dem blauen Dekorstreifen nach aussen geführt. Die Heizung ist im Motorenraum montiert, und für Service leicht erreichbar. Mit Ausnahme der Öffnung im Salon können alle Austritte getrennt reguliert werden.

Kühlung

Das Kühlaggregat Isotherm SP-System ist mit einem wassergekühlten 12 Volt Danfosskompressor ausgerüstet. Die Kühlanlage hat einen hohen Wirkungsgrad bei einem geringen Stromverbrauch, dadurch kann sie 5-6 Tage, ohne Nachladen der Batterien, betrieben werden

Ventilation

Vier Skylights, 12 Fenster zu öffnen. Ventilation im Niedergangsschott, vier Doradelüfter auf dem Salondach und der Achterkajüte und ein Electroluxlüfter für den vorderen Toilettenraum. Separate Motorraumventilatoren.

Steuerung

Lewmar-Radsteuerung mit Kardanlenkung und progressivem Ruderausschlag. Diese Steuerung ist sehr sicher und gleichzeitig feinfühlig. Kompass mit Beleuchtung, Einhebelschaltung für den Motor direkt an der Steuersäule.

Sicherheit und Beachtenswertes

Alle Aussenhautdurchführungen sind mit Kugelventilen mit Delrinichtung für schnelles und sicheres Schliessen abgesichert. Doppelte Niro-Schlauchklemmen unter Wasser. Für die Toiletten werden Spezialschläuche benutzt, die nicht diffundieren. Die Elektrokabel werden in Spezialrohren verlegt. Wo dieses nicht möglich ist, werden sie zusammengebündelt, so dass sie nicht gegen die Aussenhaut liegen. Dadurch ist das Schiff leichter sauber zu halten. Grosse Speigatten, so dass sich Wasser in der Bilge sammeln kann. Die Bilge kann durch eine Luke ohne Anheben der Treppe erreicht werden. Die Lenzpumpen sind so montiert, dass sie auch unter schlechten Bedingungen gereinigt werden können. Luken zum besseren Erreichen von Ventilen und Loggeber. Vier Feuerlöscher, einer am Tisch montiert, einer im Vorschiff, einer im Achterschiff und einer in der Backskiste.

Anstrich und Lackierung

Innenlackierung mit seidenmattem, 2-Komponenten Lack. Unterwasseranstrich zweimal Sperrprimer + zweimal Antifouling.

Lose Ausrüstung

- Flaggenstock
- Reservepinne
- Bootshaken
- Grossegelpersenning (entfällt bei Rollmast)
- 6 Fender, 60 cm
- 4 Festmacherleinen, 10 m
- 1 Winschkurbel

Zertifikation

Das Boot wird vom Germanischen Lloyd CE-Zertifiziert und mit CE-Plakette für Bereich A (unbegrenzte Ozeanfahrt) geliefert.

Alternative Ausführung ohne Mehrkosten

- Bb-Sofa mit gesamter Fläche auch hinter Rückenlehne zum Schlafen ausgenutzt. Spitze Ecke.

Änderungen vorbehalten.

Die Zeichnungen sind nur zur Orientierung, nicht für Massentnahme geeignet und zeigen teilweise Extraausrüstung.

Extraausrüstung beeinflusst die Daten in dieser Beschreibung.

SVENSKA:

Skrov och däck

Skrovet är handupplagt i glasfiberarmerad plast och isolerat mot värme och kyla med Divinycell PVC-skum med slutna celler som ej suger fukt. Kølområdet är i massivt laminat. Isofalsyre-baserad gelcoat och vinylesterbaserad barrier coat. Integrerad avvisarlist med mässingsskena. Blå dekorrand i gelcoat. Genomgående balkförstärkningar av glasfiberarmerad plast under durken. Blykøl med bulb, utanpåliggande med 16 st syrafasta kölbultar, därav 14 st 24 mm och två st 20 mm. Rodret är omsorgsfullt lagrat för sensibel roderkänsla. Massivt motorfundament i glasfiberarmerad plast för tyst gång under motor. Däck och överbyggnad i glasfiberarmerad plast av sandwichkonstruktion (delvis massiv), ihoplaminerad med skrovet.

På däck

Däck, rufftak, sittbrunn, sittbrunnsreling samt överliggare av nåtad teak. Handräcken av teak längs hela överbyggnaden. Stabilt stävbeslag med integrerad ankarrulle. Elektriskt ankar-spel med lintrumma. Original Delta-ankare 25 kg. Kätting 70 m 8 mm. Stuvutrymme i fören med plats för kätting och fendrar. Kättingen löper in problemfritt och ankaret är självstuvande. För- och akterpulpit med öppning för att lätt kunna komma ombord. Dubbla mantåg. Öppningsbara portar. Dubbla däcksavlopp som leder bort regnvattnet på båda sidorna strax över vattenlinjen, för att undvika smutsränder på skrovsidan. Däcksförskruvningar för vatten- och dieseltankar på olika sidor för att undvika förväxling. Försegel- och storskotskenor med block. Genuaskotsblocken är steglöst ställbara från sittbrunnen för rullflockssegling. Genuaskotvinschar Lewmar 55 Evo Chrome selftailing, storskotvinschar Lewmar 40 Evo chrome selftailing. Skylight på fördäck, i toaletttrum (vitfärgad mot insyn men med fullt ljusinsläpp), salong och akterruff. 12 sidofönster i överbyggnaden. Därav 7 st öppningsbara. Rostfri svanhals för problemlös genomföring av befintliga samt extra mastkablar. Stuvutrymme på sb sida i sittbrunnen. Även på akterdäck stuvutrymme, tillgängligt via två väl tilltagna luckor. På sb sida dränerat stuvutrymme för 2 st PK6 6 kg gasolflaskor. I akterspegeln integrerad badplattform, teakbelagd. Fällbar badstege.

Sittbrunnen

På stb sida lucka till stort, torrt stuvutrymme. Teaktrall på sittbrunnsdurken, rattstyrning med reglage direkt på piedestalen. Blanklackerat teaksittbrunnsbord, fällbar på piedestalen. Instrumenten för start och övervakning av motor infälld i styrpiedestalen, lätt åtkomliga för rorsman. Handskafack stb. Över skjutluckan mot den främre delen av sittbrunnen stabil vindruta med sprayhood som kan fällas ner och förpackas i ett täckskydd. Mittdelen av vindrutan är öppningsbar för luftcirkulation. På var sida om skjutluckan avställningsytor i obehandlad teak, som används som bord, kartbord och mycket annat. Över skjutluckan Raymarine-instrument; ett i50 logg, ett i50 ekolod och ett i60 vindinstrument. Stickkontakt för 12 v. Nedgångsstickskott i obehandlad teak. Två st rejäla avlopp för självläns.

Mast och rigg

3-spridarrigg från Seldén. Storbom med inbyggda dubbla rev och underliksträckare. Rodkick från Seldén. Rullflocksanläggning Seldén Furlax. Tre vinschar för revning, stor och fockfall. Flera knapar. Spinnakerbomsskena förbered för montering av spinnakerbom. Stående och löpande rigg, kraftigt dimensionerad mot utmattnings under lång tids belastning. Vantskruvar och aluminium-rörskydd från Seldén. Vinschar från Lewmar. Stor- och fockskot. Gästflagge- och klubbflaggelinor. Ankarlanterna på masttoppen.

Segel

Storsegel och kryssflock i dacron i Offshoreutförande med läderförstärkningar från Elvstrøm Sails i Danmark. Travare på mastlik och profillik på bomlik, två rev, lattor och segelsäckar.

Inredning generellt

Som standard har båten två salongssoffor och två separata akterkojer. Mot merpris kan man få två fåtöljer (lenestoler på norsk) i salongen samt även mot merpris extra bred mittkøj i aktern med soffa om babord och sminkbord på bb sida. Man kan kombinera den salong man önskar med den akter man önskar, så att man på så vis i praktiken har fyra layoutlösningar att välja bland. Om fåtöljer eller mittkøj önskas, måste detta särskilt beställas och bekräftas.

Allt invändigt arbete i ljus mahogny, mattlackat. Alla skott och plywoodytor såsom bordsskivor, kartbord och så vidare i utsökt faner, passande till massivt trä. Flushade skåpsdörrar med massiva ramar, osynliga gångjärn och ventilationsgaller ovanför så långt detta är möjligt. Durken i lackat trä med ljusa dekorrand. Taket i salongen klätt med ljus panel med mahognylister emellan. Övriga tak i ljusa skivor. 12 cm tjocka dynor i sandwichskumkärna på kojerna. Olackade och hålventilerade kojbottnar under, för undvikande av kondens. Handräcken på strategiska ställen. Matta fastsatt med tryckknappar utom pentry. Gardiner till alla sidofönster. Gardiner även under skylights.

Salongen

Två utförande finns: 1) Standard utan merpris: på bb-sidan 2,21 m lång L-soffa med rundat hörn, rak 1,99 m lång soffa på stb-sidan. Sofforna är väl anpassade för båtbruk och är sittriktiga, på stb-sidan med uppfällbart ryggstöd, så att även bredden bakom ryggstödet kan nyttjas som sovyta. På bb-sidan är utrymmet bakom ryggstödet åtkomligt som stuvutrymme. Mellan sofforna stabilt och elegant bord med uppsvängd kant. Toppmatat flaskfack i mitten av bordet. 2) Fåtölj; mot merkostnad: L-soffa med rundat hörn på bb-sidan, två fasta fåtöljer (lenestoler på norsk) på stb-sidan med småskåp däremellan. Därtill två lösa, stuvbara regissörsstolar för att sitta runt bordet. Salongsbordet blir något mindre än på version 1. Ståhöjd 1,97 m.

Pentry

Arbetsyta i kompositsten med kraftiga mahognyslingerlister runt om. Omsorgsfullt isolerad isbox, utrustad med kylaggregat och korgar samt dubbla tätninglister. Kylens elektriska kompressor är vattenkyld för bästa effektivitet och minskad strömåtgång. Dubbel diskho, sjöriktig i extra djupt utförande, tvålågig halvkar-dansk båtspis med ugn. Rejält pendelutrymme och slingerställ. Låsmöjlighet så att ugnen inte pendlar och spärr för att förhindra ugnens lucka att gå upp av sig själv. Säkerhetskran på gasledningen. Porslinsskåp med ställ och besticklåda. Skärbräda. Plats för kastruller och alla sorters förnödenheter. Utrymme för sopställ och soppåsar.

Toalettutrymme, främre

Skott och skåp av vitt laminat, med noggrant tätad duschbalja. Teaktrall som durk. Tvättställ och avställningsyta i kompositsten. Stor spegel. Plexiglasdörr till det separata duschutrymmet. Duschavlopp pumpas med elektrisk pump direkt överbord. Vattnen härifrån kan aldrig hamna i kölsvinet. Handströmbrytare för största driftsäkerhet. Hela toalettutrymmet är lättstädat. Stabil, driftsäker pumptoalett. Rostfri holdingtank för toaletten. Tömning antingen genom gravitation eller däcksuppsugningsbeslag. Skåp under och över tvättställ. Ventilation via öppningsbart fönster, skylight samt ventilator.

Förpik

Förpiken är så anordnad att tillräckligt rörelseutrymme återstår för av- och påklädning. Två 2,13 m långa kojor med mycket stuvutrymme över och under. Därtill olika skåp. Skylight och ett öppningsbart fönster.

Kartbord och genomgång

Sittvänligt utformat kartbordssäte med stort kartbord och kortfack under. På skott mot salong hylla för montering av instrument, t ex radar och kartplotter. Öppningsbar elcentral till vänster. Draglådor,

stuvfack. I genomgången stor öppning till motorrum. Generös ståhöjd ca 1,83 m i genomgången p g a att höjden i sittbrunnssargen utnyttjas. Sjögarderober samt olika skåp.

Akterruff

Akterruffen nås via en dörr i genomgången. Direkt bordvarts garderob, därefter två bekväma tvåmeterskojer, 90 cm respektive 1,35 m breda. Stuvutrymme under och över, säte emellan. Spegel mot skottet mot sittbrunnen. Mot merpris kan akterruffen beställas med Queen Size mittkoj och soffa på bb sida.

Toalettutrymme, akte

Utförande som förtoalett. Plexiglasdörrar till det separata duschutrymmet. Ventilation genom ett öppningsbart fönster.

Motor och motorrum

Motor: Volvo Penta D2-75, 55 kW/75 hk, 2,2 liters cylindervolym, med turbo, 4-cylindrig, monterad med gummifötter på tungt fundament för undvikande av vibrationer och ljud. Hydrauliskt backslag. Trebladig fast propeller. Fast axel med underhållsfri packbox och yttre vattensmört gummilag. Våt avgasslang i gummi. Färskvattenkyllning. Den varma sötvattenkretsen leds via en 40-liters varmvattenbehållare som är noggrant isolerad. Detta betyder att man dagen efter motorkörning har varmvatten till pentry, tvättställ och dusch. Motorstart via ett separat 12 V batteri från sittbrunnens instrumentavla. Stort filter för kylvatten. Länsumpen är så monterad i invändigt utrymme, att den även under sämsta tänkbara förhållanden kan öppnas och rensas.

Bränsle

Ca 395 l diesel i tank under durken i salongen med tankmätare. Påfyllning från däck. På väg till motorn ett extra stort vatten- och grovfilter utöver det på motorn redan befintliga. Räckvidd med två tredjedels gaspådrag i lugnt vatten ca 690 sjömil, förutsatt att en Goriropeller med overdrive beställs mot pristillägg.

Vatten

Ca 650 l vatten, fördelat på 420 l i huvudtanken under durken och 230 l i extratanken under soffan. Ledning till huvudtanken med avstängningskran. Tankmätare till huvudtanken. Vattnet leds till en pump och vidare till en tvåliters tryckutjämningsbehållare. Därifrån via en förgrening, dels till varmvattenberedaren på 40 l (uppvärmd av 230 V elpatron och motorns kylvatten) och vidare till pentry och tvättställ, dels direkt som kallvatten till pentry och tvättställ. Så snart någon kran öppnas, börjar vattnet, som står under tryck i ledningen, att rinna och i och med att trycket faller, startar den elektriska pumpen och stannar genom att kranen stängs och trycket åter byggs upp. Påfyllning från däck. Kolfiltersystem. Tre länsumpar ingår: manuell länsump, elektrisk länsump samt dränkbar elektrisk nödlänsump med hög kapacitet.

Ei

Två separata elkretsar, en 12 V krets med ett 75 Ah batteri till motorstart. En annan krets till övrig försörjning 12 V, 460 Ah, fördelat på fyra batterier á 230 Ah 6 V deepcycle batterier. Laddning genom växelströmgenerator 115 A på motorn. Lampor på alla strategiskt viktiga ställen. 12 V stickkontakter vid inre kartbord samt i sittbrunnen. Automatsäkringar med brytare, samlade på elcentralen bredvid kartbordshörnan. LED Navigationslanternor och LED motorgångslanternor. Ankerljus. Elcentralen är förberedd för inkoppling av extra utrustning. Elschema följer med båten vid leverans.

Värme

Modell Webasto Airtop 5000 Diesel, 5 kW, med utsläpp i salongen, förpiken, främre och akte toalettutrymmena och i akterruffen. Värmeslangarna är så långt som möjligt lagda dubbla i varandra för bästa isolering. Skrovet är värmeisolerat och värmebehovet samt strömåtgången är därför minimala. Värmaren är monterad i motorrummet och är lättåtkomlig för service. Alla utsläpp kan regleras, med undantag för det i salongen.

Kylning

Kylaggregat Isotherm SP system, utrustat med en Danfoss-kompressor som är helt insvetsad i ett plåthus och synnerligen strömsnål p g a sin goda verkningsgrad. Systemet är vattenkylt. Det drivs med 12 V, och om batterierna är i god kondition, är kylning under 5-6 dygn utan efterladdning möjlig.

Instrumentering

Över skjutluckan Raymarine-instrument; ett i50 logg, ett i50 ekolod och ett i60 vindinstrument. Magnetkompass, varvräknare samt voltmeter för motorstart på styrpedestalen. Tankmätare för diesel och färskvatten vid elcentral vid inre navigationsbord.

Ventilation

Fyra skylights, 7 öppningsbara fönster, ventilationsgaller i nedgångssticks-kott, 6 ventilatorer på fördäck, salong, akterruff och en til i det främre toalettutrymmet. Elektrisk motorrumsventilation.

Styrning

Lewmar rattstyrning. Överföring med hjälp av kardanlänkad stångstyrning. Detta ger en exakt känsla och progressiv utväxling. Nödstyrning, användbar från däck genom att ansluta nödrorkult på akterdäck. Belyst kompass på styrpedestalen. Motorreglage direkt vid ratten.

Säkerhet och annat värt att veta

Alla bordsgenomborningar är försedda med kulventiler med delrinpackning för snabb och säker stängning. Dubbla slangklämmor under vattenlinjen. Till toaletterna används specialslang, som ej diffunderar. Samtliga elkablar förläggs företrädesvis i kanaler och där detta inte är möjligt i buntar, som ej ligger mot skrovet, för undvikande av fukt och smutssamling. Stora spygatt, så att eventuellt vatten effektivt kan samlas i kölsvinet, som är direkt åtkomligt utan att nedgångslejdaren behöver lyftas åt sidan. Länsumpen är lättåtkomligt monterad och kan rensas även i sämsta tänkbara väder. Luckor i durken för bra åtkomlighet av kranar, loggivare etc. Fyra eldsäckare, varav en monterad vid salongsbordet, en i förpiken, en i akterruffen och en i sittbrunnstuvan.

Målning och lackering

Invändigt med sidenmatt tvåkomponentlack. Botten: två lager epoxiprimer + två lager bottenfärg.

Alternativa utföranden utan kostnad

- Bb-soffan byggd för utnyttjande av hela ytan som bädd, som på stb-sidan i version 1. Vinkelhörn.

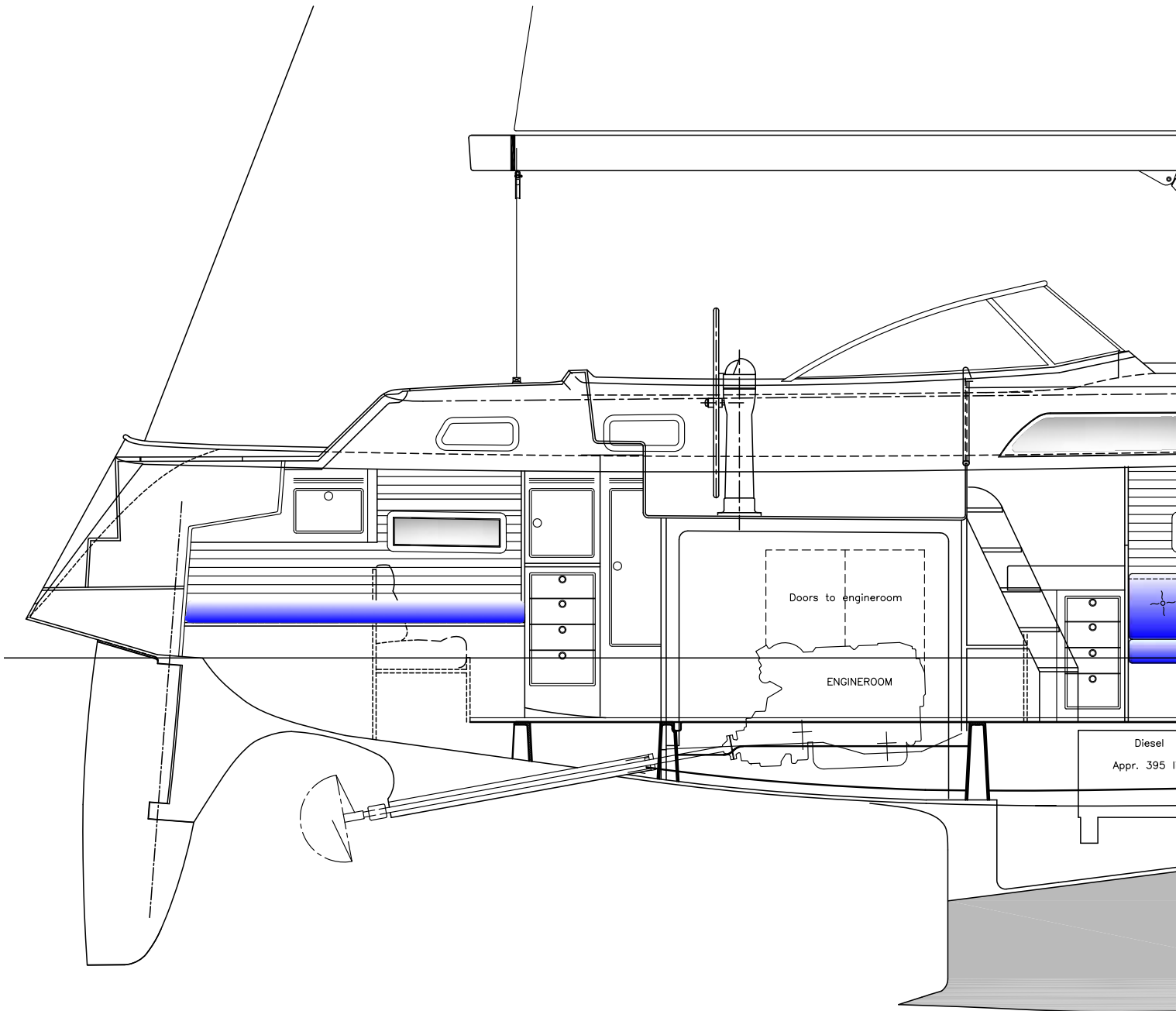
Lös utrustning

- Båtshake
- Ett låsbart vinschhandtag
- 6 st fendrar, 60 cm
- 4 st förtöjningslinor, 10 m
- Flaggkäpp
- Reservrorkult
- Storsegelpresenning (bortfaller vid rullmast)

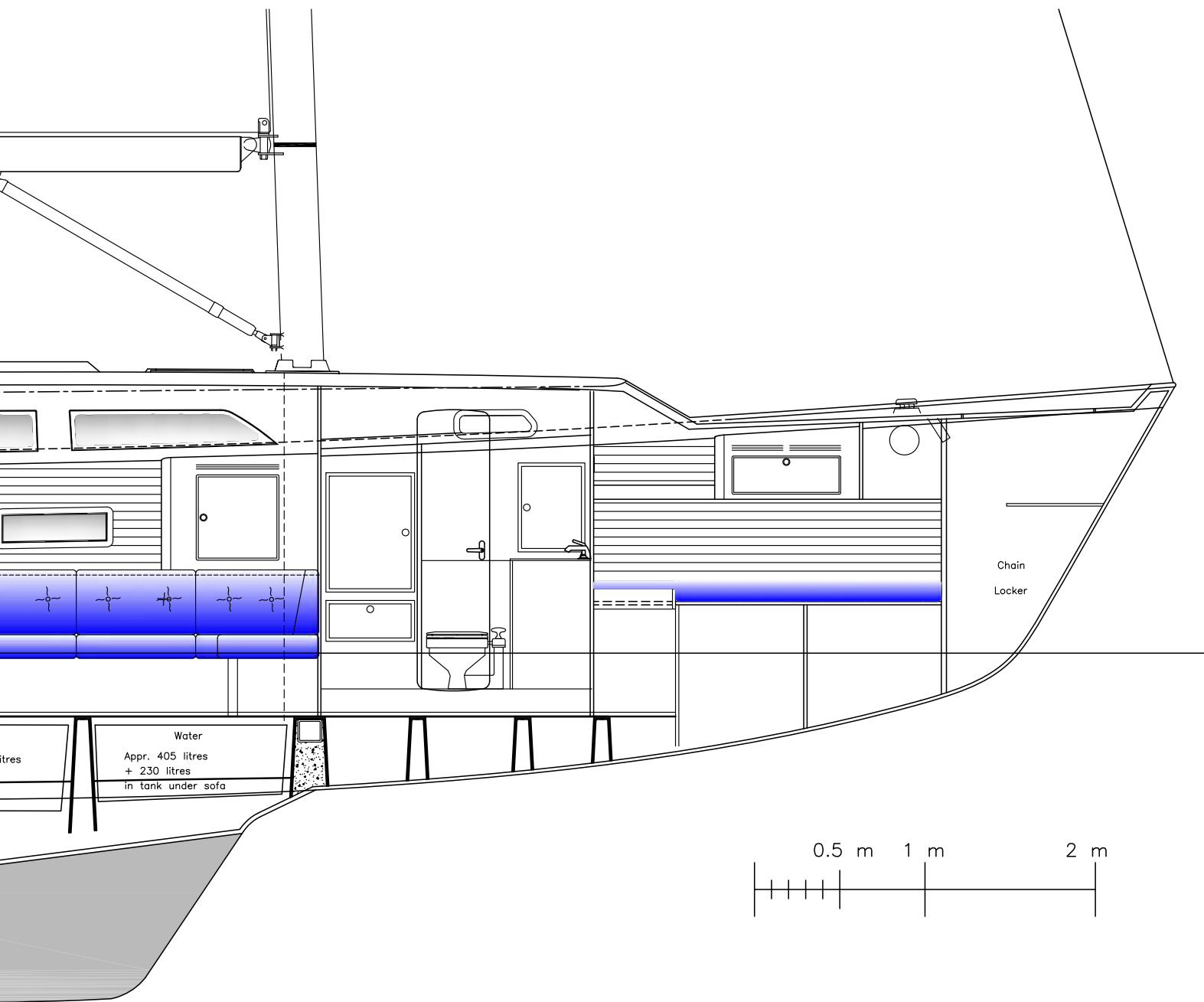
Certifiering

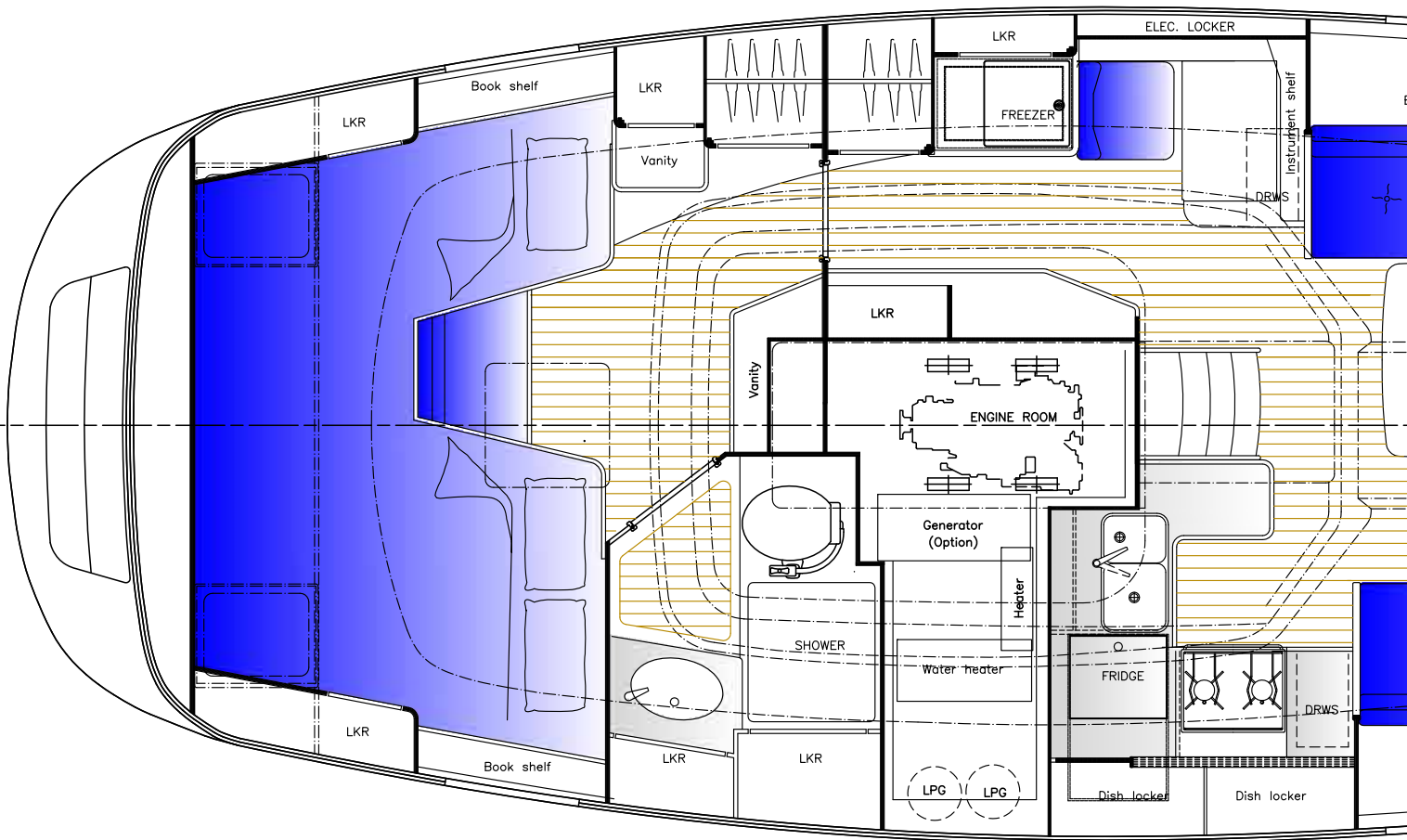
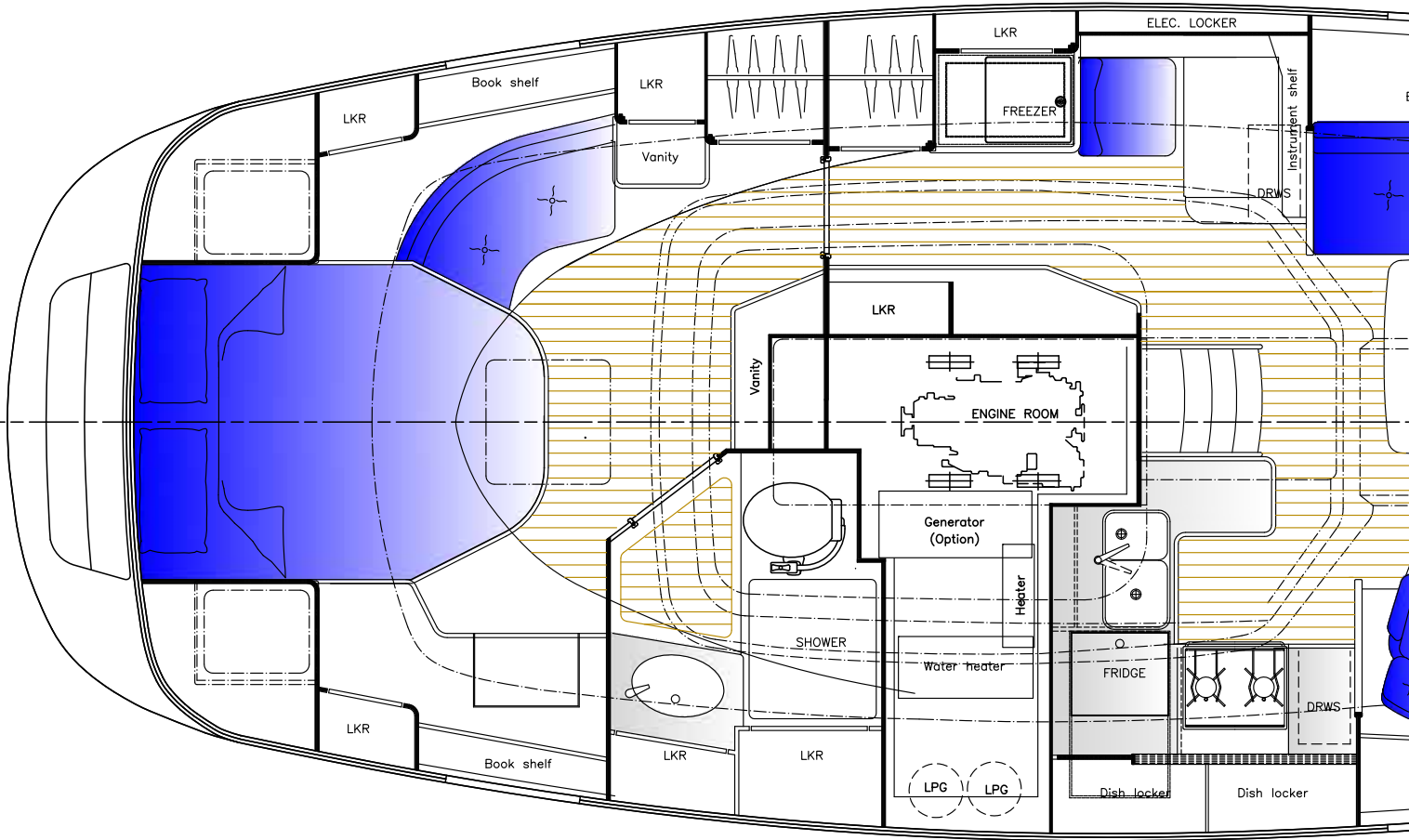
Båten är CE-certifierad för område A, obegränsad oceansegling, av Germanischer Lloyd och levereras med CE-certifikat och CE-plakett.

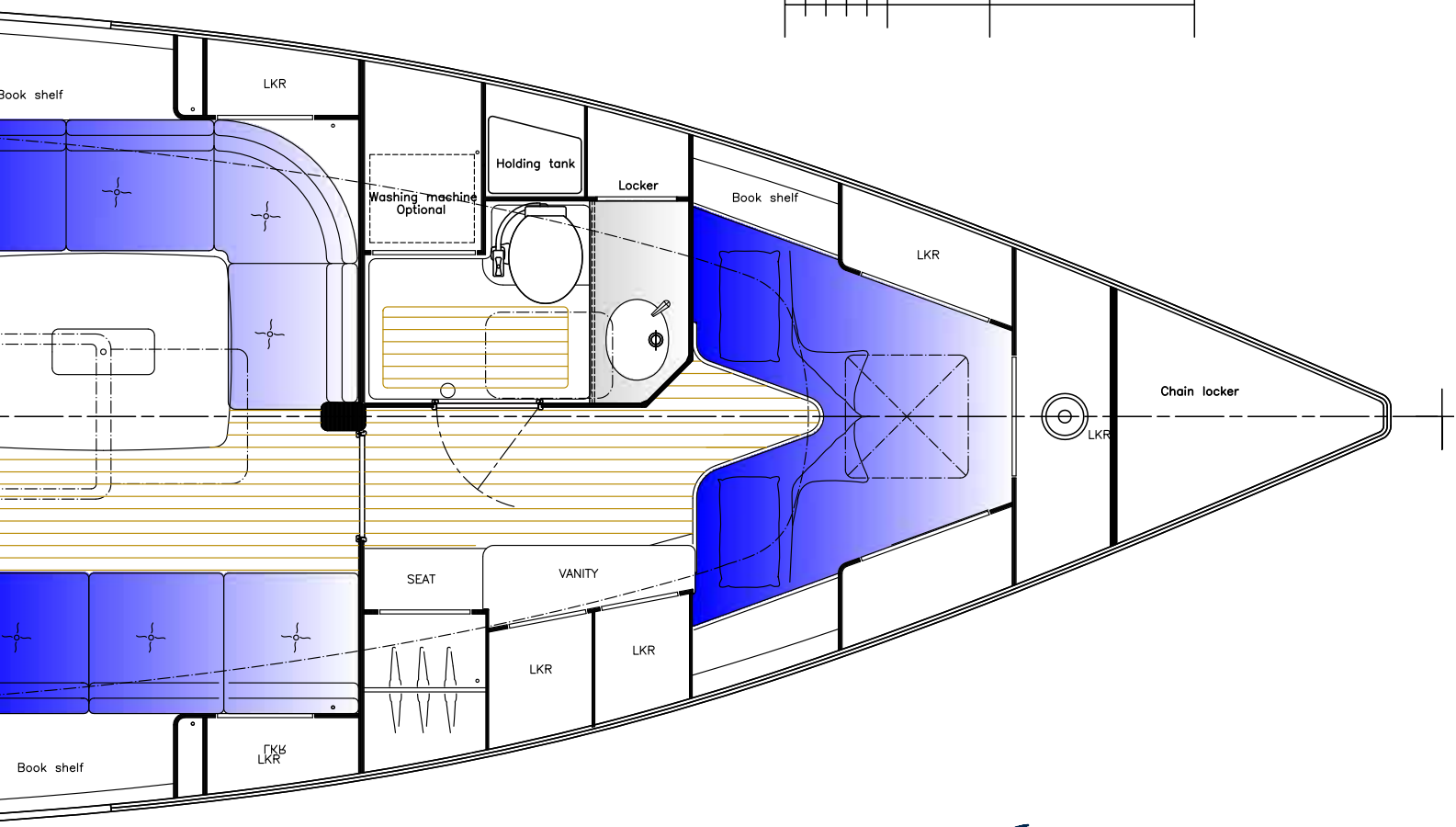
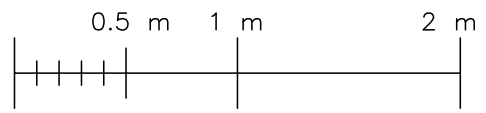
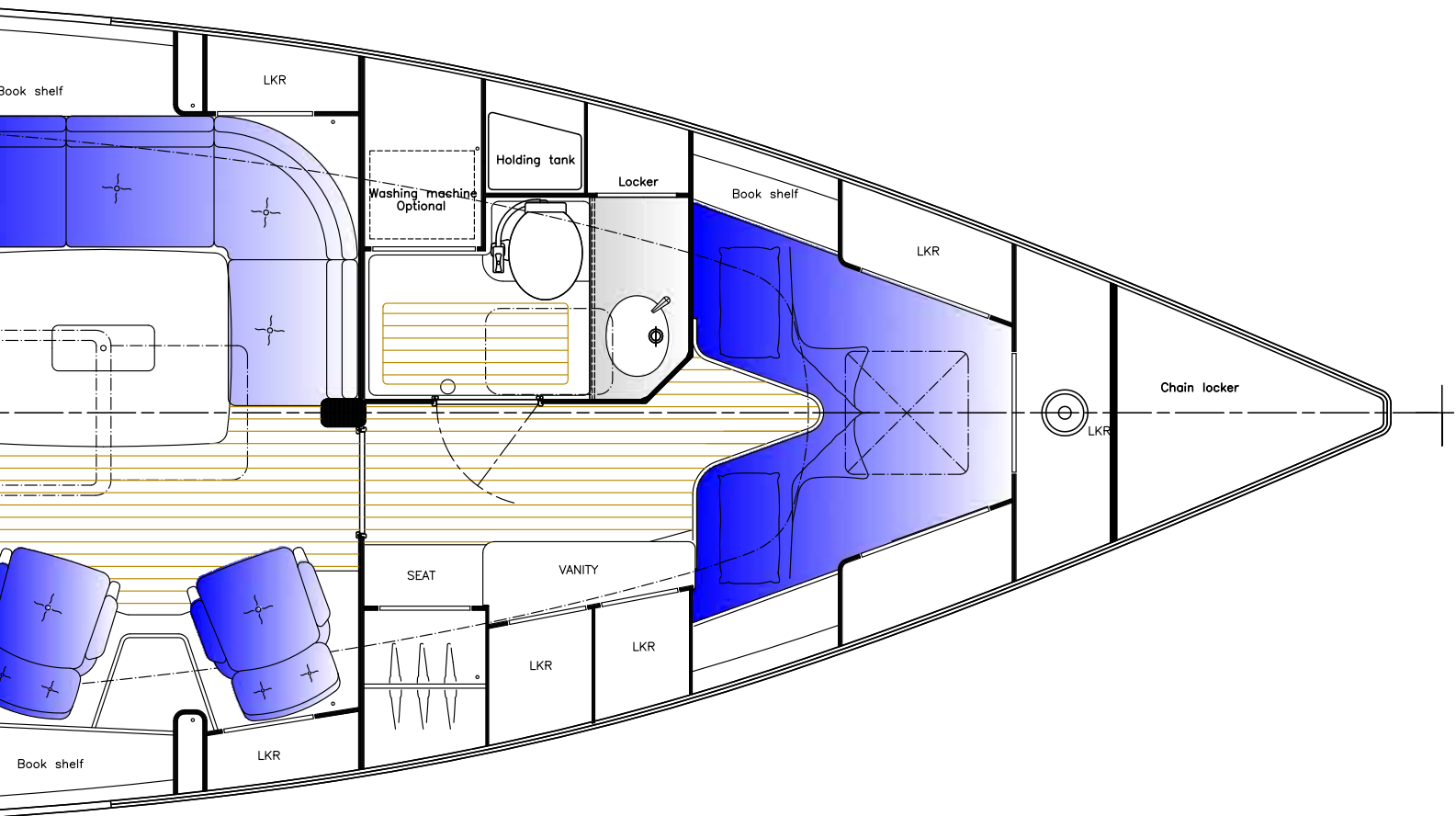
Ändringar förbehållna. Beskrivningen avser standardutförandet. Val av extrautrustning kan påverka fakta i denna beskrivning. Ritningarna är endast för orientering. Mått skall ej tas från dessa. Ritningarna visar delvis extrautrustning.



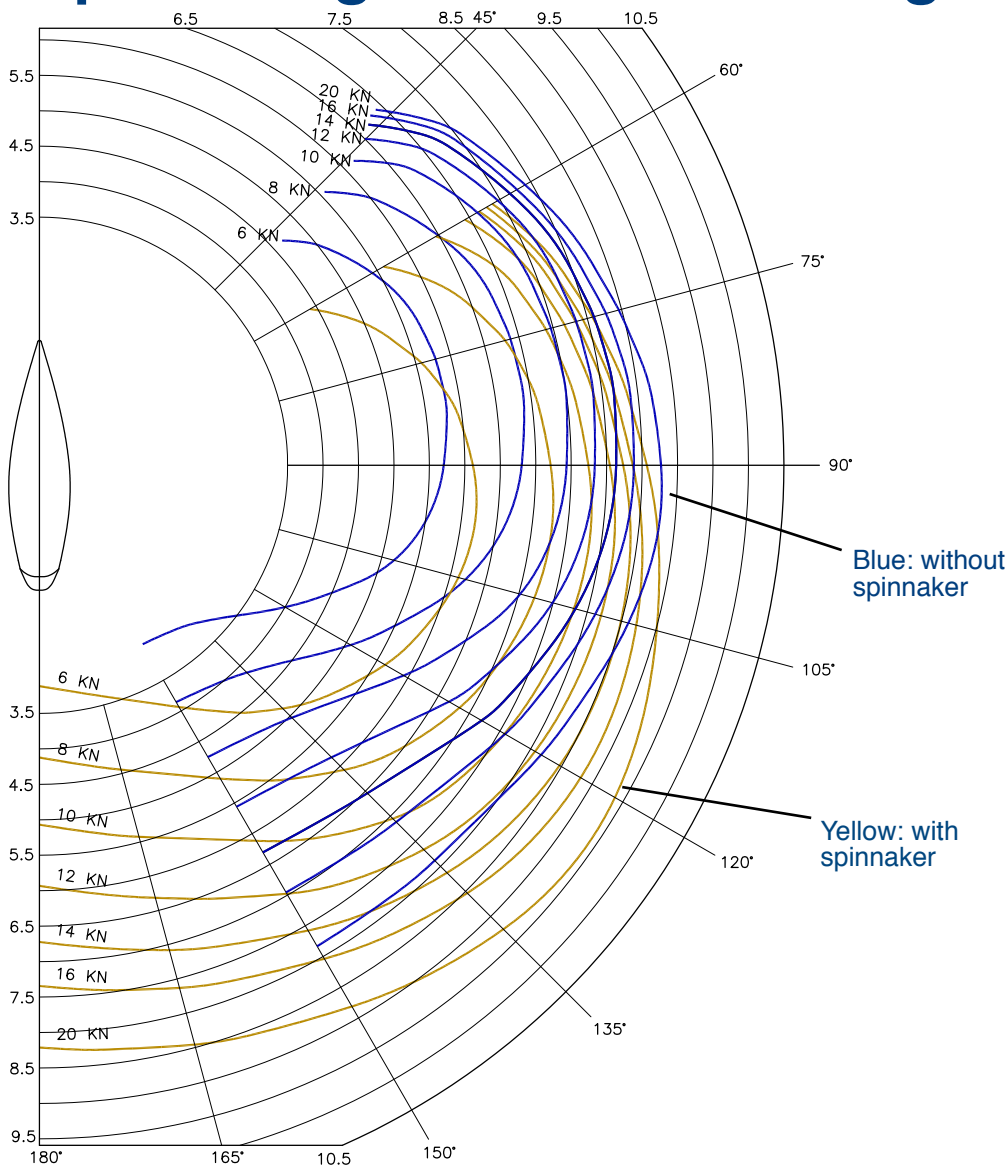
Diesel
Appr. 395 l







Speed diagram / Geschwindigkeitsdiagramm



Comments by Germán Frers:

This diagram show average speed, not top speeds in various wind conditions and sailing angles. They can be used as a guide to sail the boat at best using the wind angles up wind and downwind which yield the best VMG (speed made good)

Kommentar von Germán Frers:

Dieses Diagramm zeigt die Durchschnittsfahrt, nicht Topfahrt, in verschiedenen Windstärken und Richtungen. Das Diagramm kann als eine Orientierung auf Trimmfahrten benutzt werden, um die richtige Höhe am und vor dem Wind zu finden.

Kommentar av Germán Frers:

Diagrammet visar genomsnittsfarter, ej toppfarter, i olika vindstyrkor och vid olika vinklar mot vinden. Diagrammet kan användas för att hitta rätt VMG (effektiv fart mot mål) på kryss såväl som på undanvind.



HALLBERG-RASSY VARVS AB, HALLBERG-RASSYVÄGEN 1, SE-474 31 ELLÖS, SWEDEN. TEL +46-(0)304-54 800.
info@hallberg-rassy.se www.facebook.com/hallberg-rassy www.instagram.com/hallberg-rassy www.hallberg-rassy.com

SPARE PARTS AND ACCESSORIES: HALLBERG-RASSY PARTS AB, EDEBACKEN 2, SE-474 31 ELLÖS, SWEDEN.
 TEL +46-(0) 304 54 840 info@hr-parts.com www.hr-parts.com

ARGENTINA: JOSÉ FRERS, RUBEN DARIÓ 3447 (1646) VICTORIA P.B.A.
 TEL +54-11 47 45 05 37. jfrers@josefrers.com

BULGARIA: FININVEST LTD., BOGORIDY St No 59, BG-8000 BOURGAS.
 TEL +359 (0) 56 845 107. fininv@bs.spnet.net

CHILE: MARES CHILE, NUEVA COSTANERA 3840 OFFICE 01, SANTIAGO
 TEL (56-2) 263 1000 info@mareschile.cl

CROATIA, SERBIA, SLOVENIA, BOSNIA AND HERCEGOVINA, MACEDONIA AND MONTENEGRO:
 MORE OCEAN D.O.O., SMICIKLASOVA 19, HR-10 000 ZAGREB, CROATIA.
 PHONE +385 1 5509501. MOBILE + 385 98 48 38 54. marko@moreocean.hr

DENMARK: MARINEPARKEN YACHTS AFS, VED FYRET 35, DK-5500 MIDDELFART
 TELEFON +45 20 18 41 97 TEL +45 2018 4191 bo@marineparken.dk

FINLAND: OY HELLMAN YACHTS AB, TAMMISTONTIE 256, FIN-20900 TURKU.
 TEL +358 (0)2 2581 600, +358 (0) 400 520 454. lassi.hellman@helmarin.fi

FRANCE: LJB MARINE, GALERIE MARCHANDE DES MINIMES, 46 AVENUE DU LAZARET,
 FR-17000 LA ROCHELLE. TEL : + 33 (0)5 46 52 19 52
 MOBILE + 33 (0)6 22 88 13 80 info@ljb-marine.com

GERMANY: HALLBERG-RASSY DEUTSCHLAND GMBH, AN DER WIEK 7-15,
 DE-23730 NEUSTADT. TEL 04561-55 86 48. info@hallberg-rassy.de

HOLLAND: NOVA YACHTING INTERNATIONAL BV, POSTBUS 15, NL-4310 AA
 BRUINISSE. VISITING ADDRESS: JACHTHAVEN BRUINISSE, JACHTHAVENWEG 72,
 NL-4311 NC BRUINISSE. TEL +31-111-48 18 10. info@nova-yachting.nl

ITALY: MARINE LIONS YACHTING SRL, VIA SALENTO 12, IT-00162 ROMA.
 TEL 06-44 23 75 37. info@hallberg-rassy.it

JAPAN: GLOBAL MARINE INC., IMAZU BOAT CENTER 3F, 2-16 IMAZU-NISHIHAMA,
 NISHINOMIYA, HYOGO 663-8225. TEL 0798-34-73 45. info@global-marine.co.jp

NORWAY: POLLEN MARITIME AS, BESØKSADR.: DRONNINGEN 1, OSLO.
 POSTADR.: PB A BYGDØY, NO-0211 OSLO. +47 91 77 14 51.
ole-petter@pollenmaritime.no

RUSSIA: JONACOR MARINE, PESOCHNAYA EMB., 18, St PETERSBURG 197022,
 TEL +7 (812) 702 47 70. info@jonacor-marine.ru

SPAIN: STAY NÁUTICA, PUERTO DEPORTIVO, LOCAL 32, ES-08320 EL MASNOU
 (BARCELONA). TELS 93 540 28 25 – 93 540 28 83. info@staynautica.com

SWITZERLAND: BOOTSWERFT ROLF MÜLLER AG, BOTTIGHOFEN,
 CH-8574 LENGWIL. TEL 071-688 41 41. rolf.mueller@hallberg-rassy.ch

TURKEY: PRIENE TURIZM YATCILIK SAN. VE TIC. LTD. STI., CEMILTOPUZLU CAD.
 104 A/16-17 B BLOK, RAGIP PASA KORUSU 34728 CADDEBOSTAN, ISTANBUL
 TEL: +90 216 4677100. priene@arti-d.com

UK: TRANSWORLD YACHTS SAILING LTD, HAMBLE POINT MARINA, SCHOOL LANE,
 HAMBLE, SOUTHAMPTON S031 4JD. TEL 023-80 45 60 69.
enq@transworld-yachts.co.uk

USA, CT: EASTLAND YACHTS INC., 33A PRATT STREET, ESSEX, CT 06426.
 TEL 860-767-8224. eyi@eastlandyachts.com

USA, MD: FREE STATE YACHTS INC., HERRINGTON HARBOUR MARINA NORTH
 P O BOX 220, DEALE, MARYLAND 20751. TEL: 410-867-9022, 800-871-1333
sales@freestateyachts.com

USA, WA: SWIFTSURE YACHTS, 2500 WESTLAKE AVE. N., SUITE F, SEATTLE WA
 98109. TEL 206 378 1110, info@swiftsureyachts.com