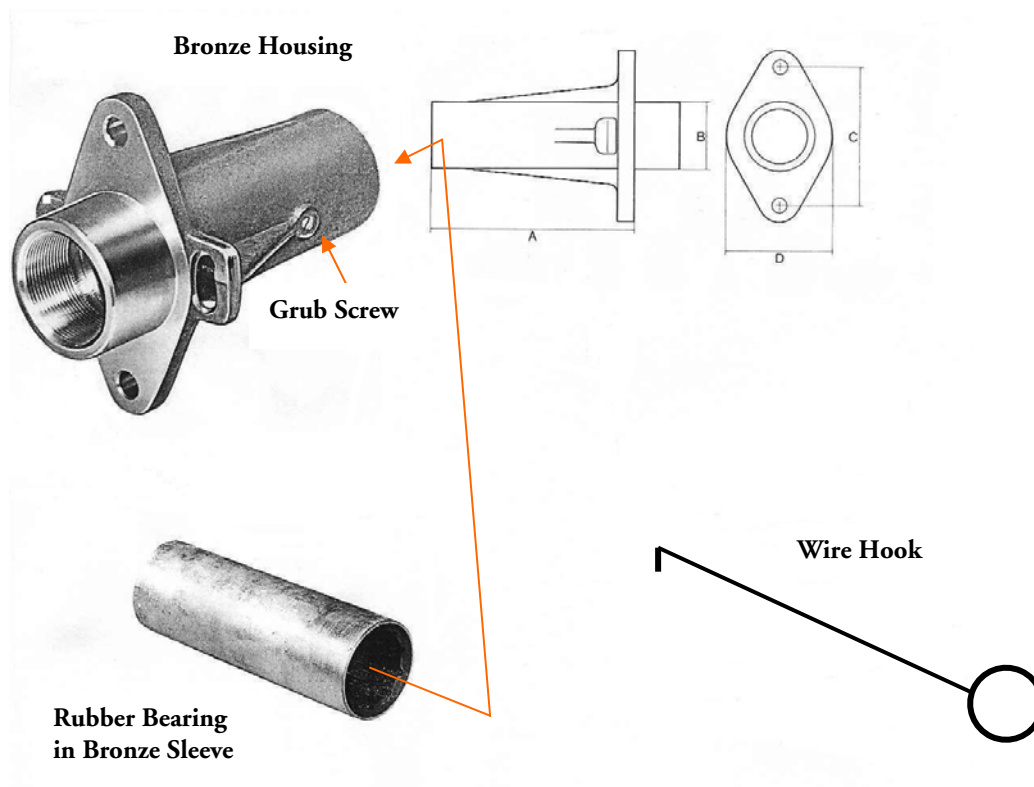


Cutlass Bearing Removal



Cutlass Bearing Removal

The following procedure does not require removal of the propeller shaft in order to change the bearing!

1. Remove propeller.
2. Undo grub screws.
3. Make a wire hook.
4. Slide the hook between the shaft and bearing catching hold of the inner end of the bearing. With a little persuasion the bearing can now be drawn out.
5. Slide the new bearing into the housing. Fasten with grub screws.
6. Refit propeller.

If the bearing cannot be persuaded to loosen in the above manner the complete bearing housing must be removed.

1. Clean/chisel away filler and paint and remove the M10 bolts or bolt holding the bearing housing flange to the hull.
2. Using a large pipe wrench unscrew (anticlockwise) the bearing housing.
3. Use a piece of pipe or similar to drive out the old bearing from the housing.
4. Refit bearing. Fasten with grub screws.
5. Screw the housing back into place – use a mastic sealant on all joints and bolts.
6. Finish and paint.
7. Refit propeller.