

area in mm²

- w white
- b black
- r red
- gr grey
- gn green
- y yellow
- vi violet
- or orange
- bl blue
- bn brown
- tr transparent

- gn steamlight
- bn combilight
- or anchorlight
- bl decklight
- b - ground

- r bilgepump
- w freshwaterpump
- gr seawaterpump
- b - ground

to keyswitch ng 15

watertankunit

fueltankunit

nav.-lights ps sb
" aft

connection mastfoot fore

decklight aft

compasslight
instrumentlight
wiper

pumpconnection engineroom

engineroomfan

radio

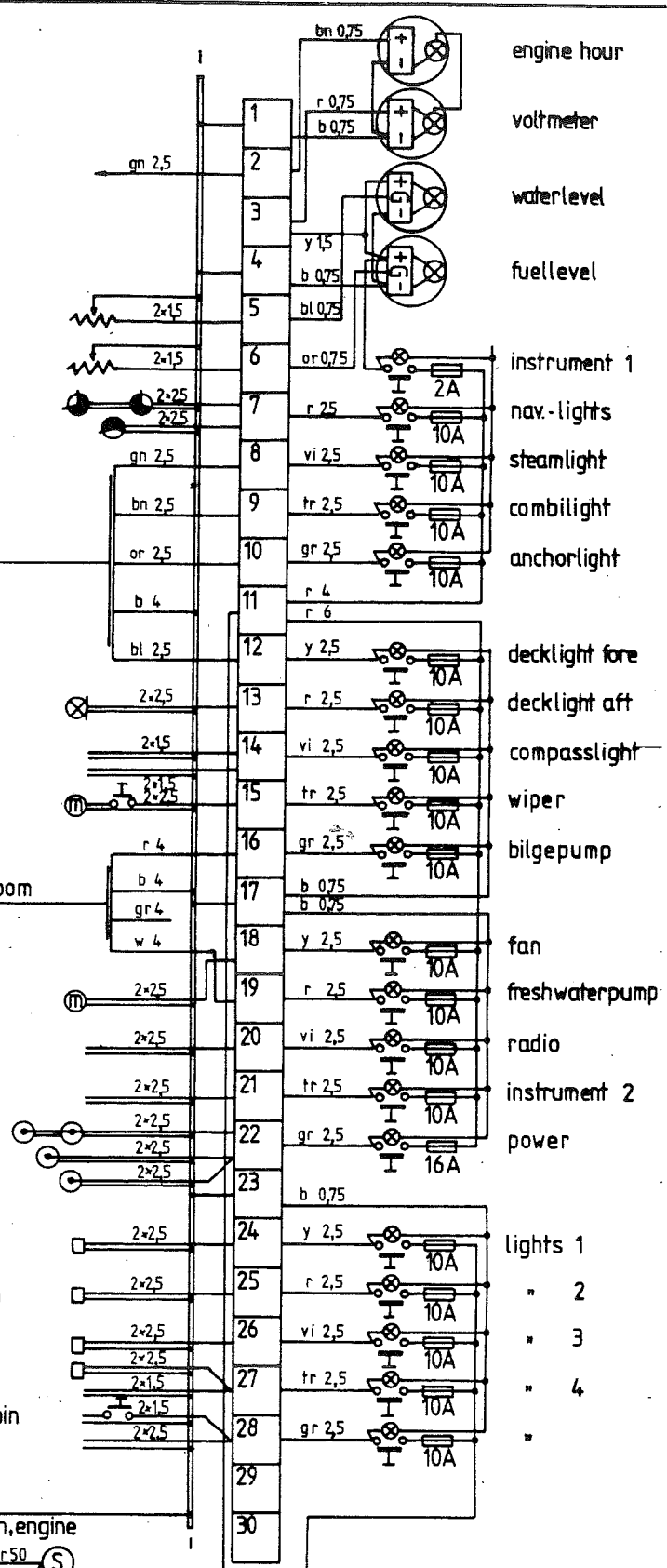
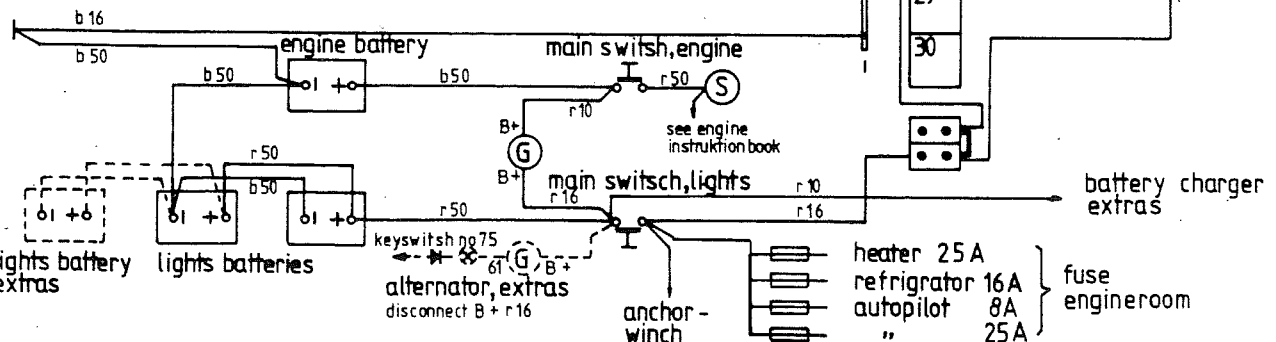
nav.-instrument
outlets doghouse
outlet pantry
outlet el.-panel

lights fore cabin ps
toilet

lights main cabin sb

lights aft cabin
lights main cabin ps
light aft passage
ceiling lamp main cabin
light engineroom

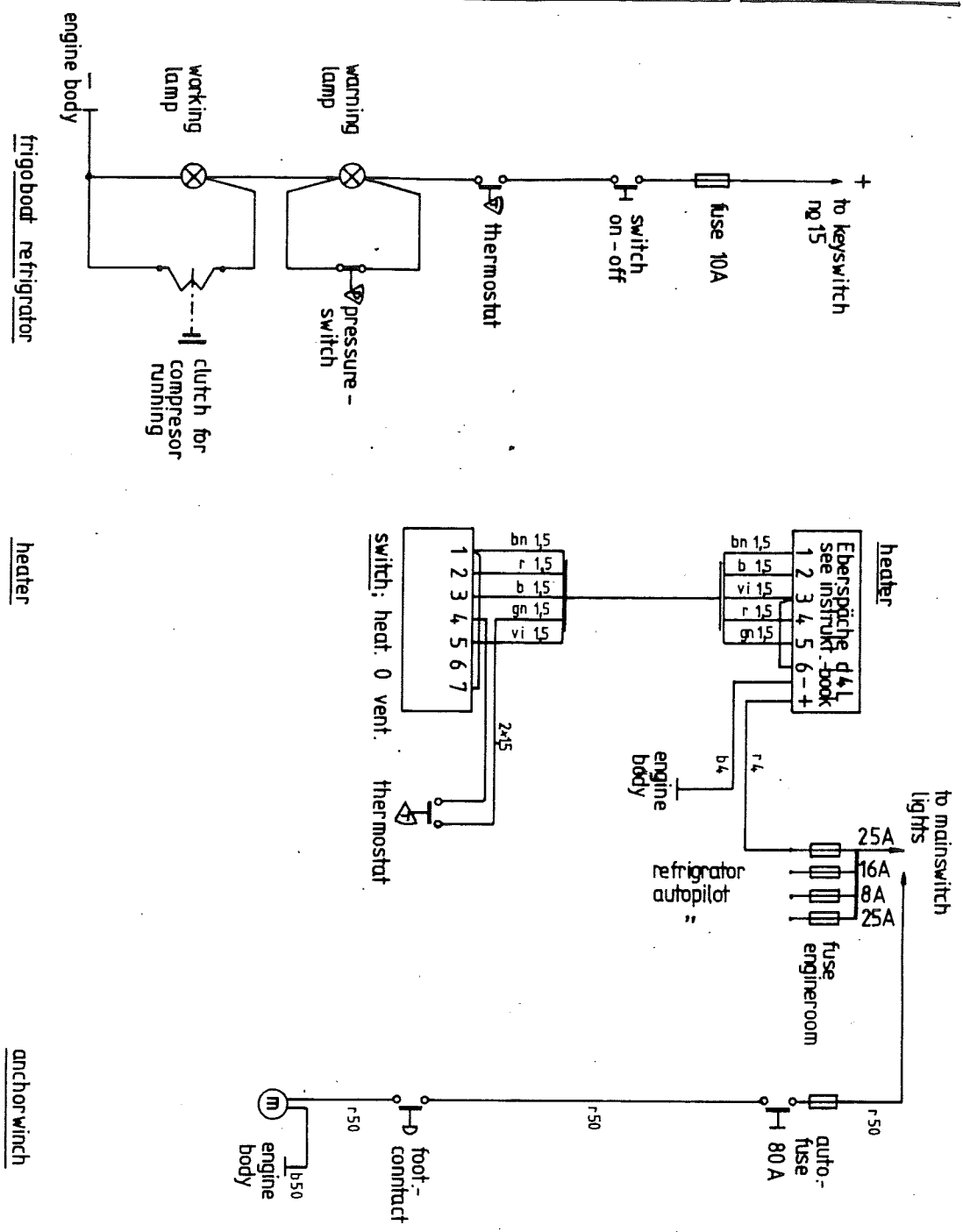
engine body



HALLBERG - RASSY
ELLOS
SWEDEN

84 02 10

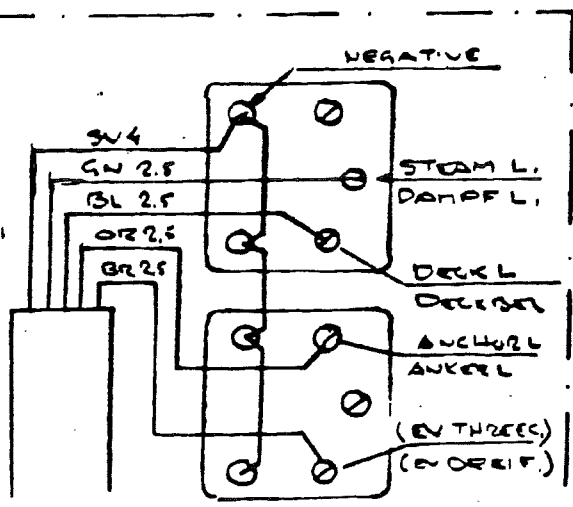
ELSCHEMA HR 42



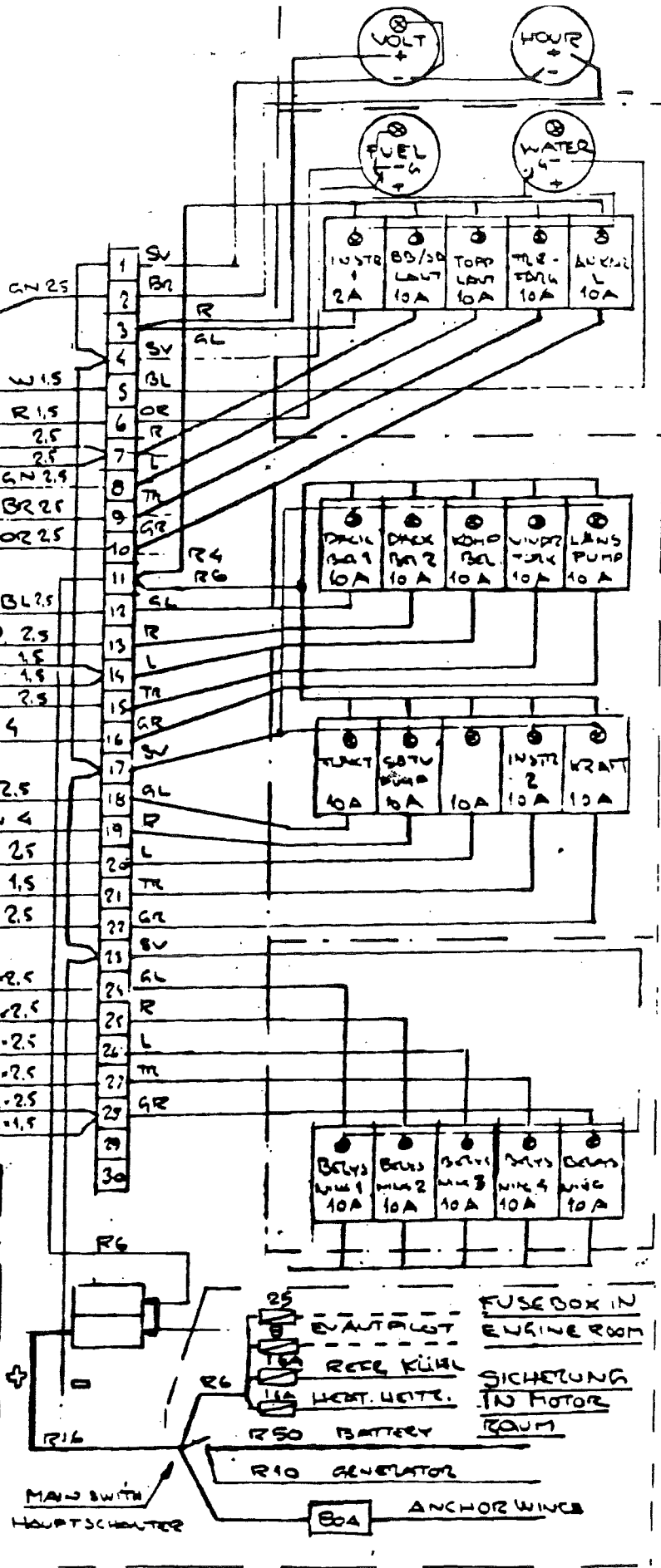
GN = GREEN GRÜN
 GL = YELLOW GELB
 SV = BLACK SCHWARZ
 R = RED ROT
 BR = BROWN BRAUN
 BL = BLUE BLAU
 OR = ORANGE ORANGE
 W = WHITE WEISS
 L = PURPLE LILA

KEY SWITCH IS STARTSCHLÜSSEL IS

WATER TANK	WASSERTANK	W 15
FUEL TANK	BRENNSTOFFTANK	R 15
SD/PAU LIGHT	POSITIONSLAUCHER	2.5
AFT	ACHTERLAUCHE	2.5
STEAM	DAMPFER LIGHT	GN 2.5
(EV THREE COLOUR)	(EV DREIFARBE)	BR 2.5
ANCHOR LIGHT	ANKERLICHT	OR 2.5
DECK LIGHT FORW	DECKSBELEUCHT V	BL 2.5
DECK LIGHT AFT	ACHTERN 2.5	2.5
COMPASS	KOMPASS	1.5
INSTR LIGHT	INST BELEUCHT.	1.5
WIPPER	SCHWEIBENWISCHER	2.5
BILGE PUMP	LECKPUMPE	R 4
BLOWER	VENTILATOR	2.5
FRESH WATER	DRUCKWASSER	W 4
(RADIO)	(RADIO)	2.5
(NAV INSTR)	(INSTRUMENTE)	1.5
OUTLET COCKPIT	STECKKONTAKT	2.5
DECK LIGHT FORE P	DECK VORRIECK	2.2.5
" SB	DECK SB	2.2.5
" AFT	DECK ACHTERN	2.2.5
" P	DECK PD	2.2.5
" ENGINE ROOM	DECK MOTOR	2.2.5
" CEILING M.CNS	DECK M.CNS	2.1.5



MAST JUNCTION
MASTSCHALTUNG



HR 42
WIRING DIAGRAM
SCHALT PLAN

Verflets tegning

JAN 02