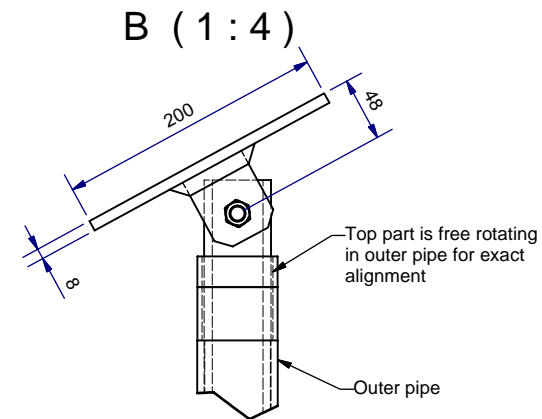
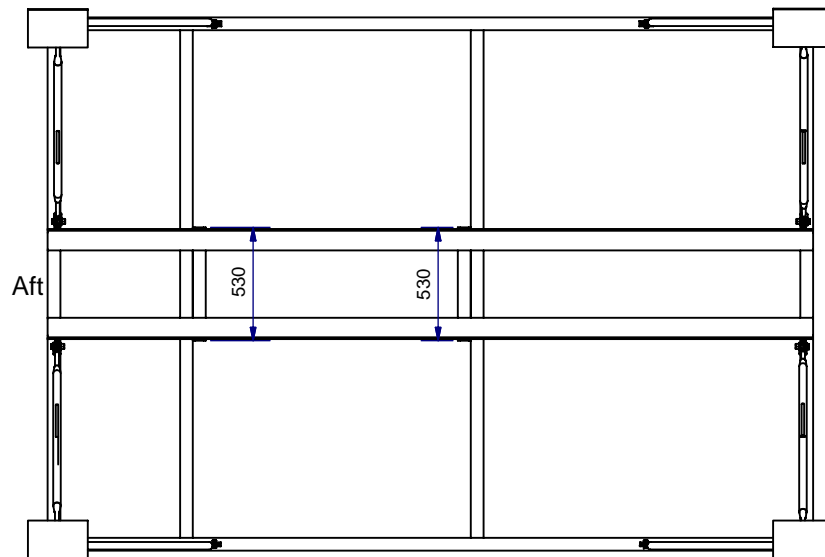
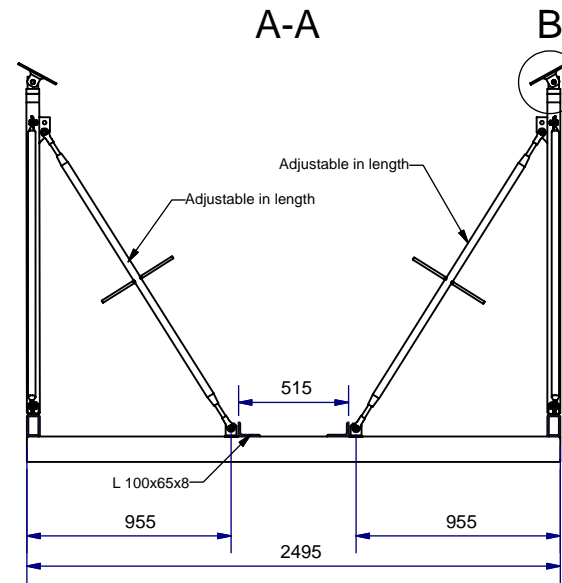
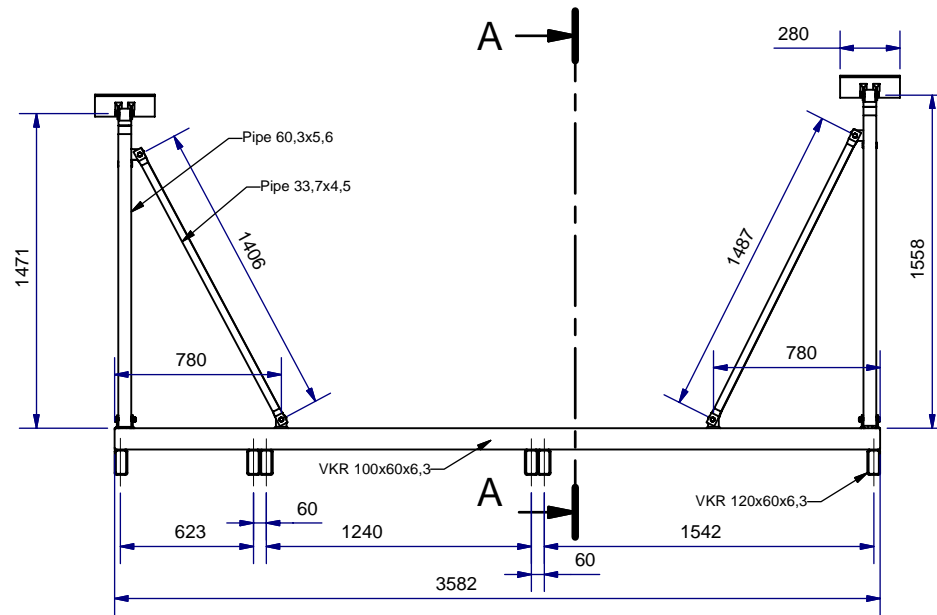


**GENERAL NOTES**

För dessa skisser påtager sig Hallberg-Rassy Varvs AB ej något ansvar.

We renounce all responsibility regarding measurements.

Oben angegebne Masse sind unverbindlich.



Forward

A Updated 2004-10-20

Rev no	Remarks/Sign	Rev Date
--------	--------------	----------

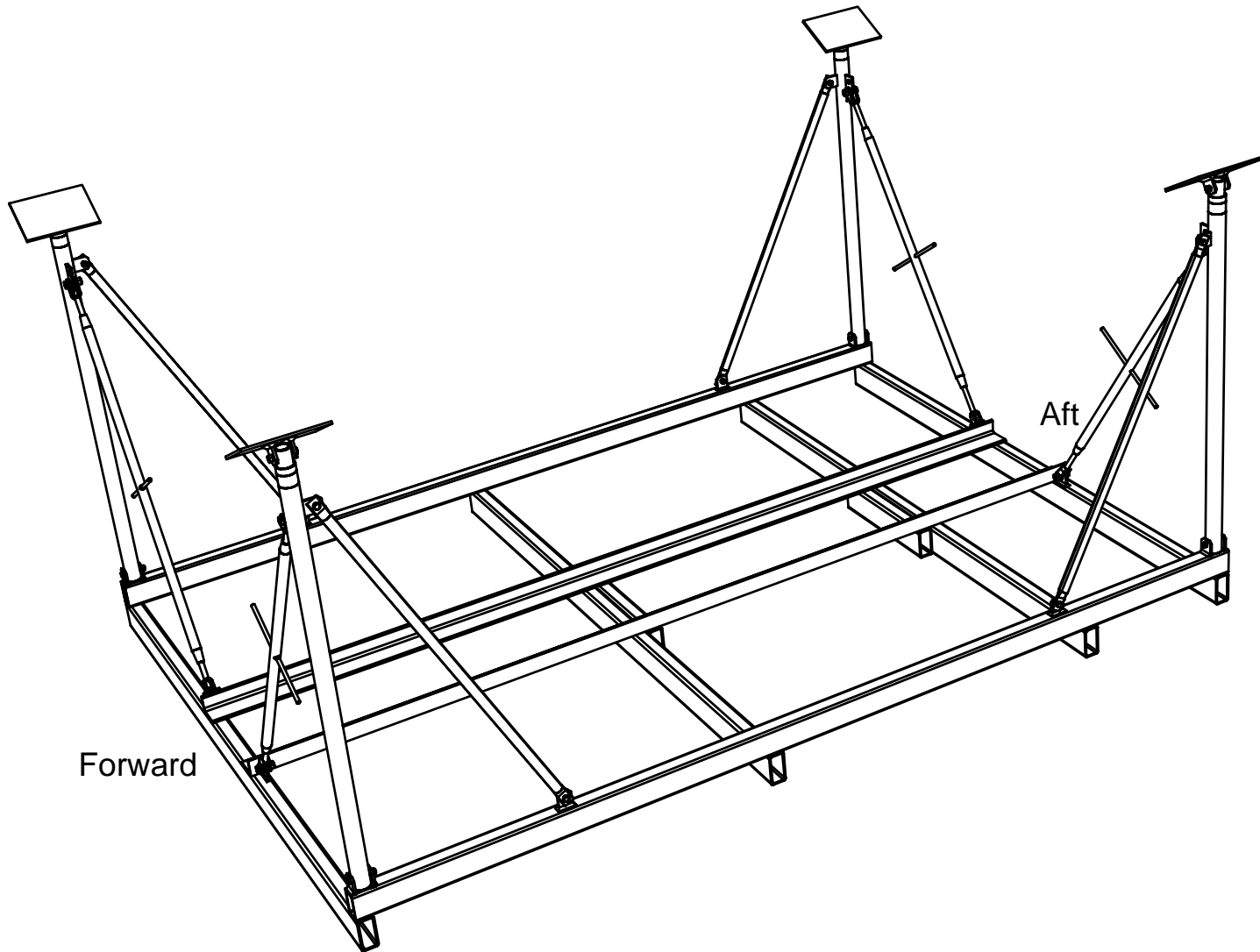
Cradle, HR37 and HR40

Art. no:

Drawn by	Alt.	Sheet	Scale
eric		1 of 2	1:25 (A3)

Date	Drawing name
2004-04-26	Vagga komplett

**Hallberg-Rassy**  
 Hällavägen 6 - SE-474 31 ELLÖS  
 Sweden  
 Phone: +46 - 304 - 548 00 Fax: +46 - 304 - 513 31



## GENERAL NOTES

För dessa skisser påtager sig Hallberg-Rassy Varvs AB ej något ansvar.

We renounce all responsibility regarding measurements.

Oben angegebne Masse sind unverbindlich.

A Updated 2004-10-20

Rev no	Remarks/Sign	Rev Date

Cradle, HR37 and HR40

Art. no:

Drawn by	Alt.	Sheet	Scale
eric		2 of 2	n.t.s

Date	Drawing name
2004-04-26	Vagga komplett

 **Hallberg-Rassy**®

Hällavägen 6 - SE-474 31 ELLÖS  
Sweden

Phone: +46 - 304 - 548 00 Fax: +46 - 304 - 513 31