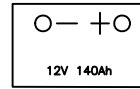


Auto Fuse



Battery



Steam Light



Circuit breaker



Port Nav Light



Alternator



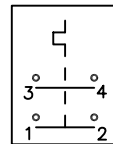
Starboard Nav Light



Start Motor



Aft Nav. Light



230V Auto Fuse



3-Colour Light



Anchor Light



230V Outlet



Deck Light



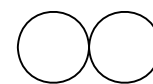
Earth



Compass Light



Connection Box



Marked Cable = Negative



Light with Switch (Wardrobe etc.)



Light with Switch (Lamp)



Light (Ceiling)



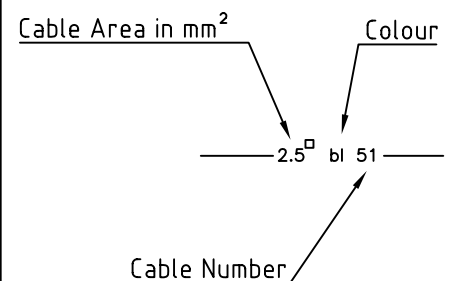
Switch



Light (Meta List)

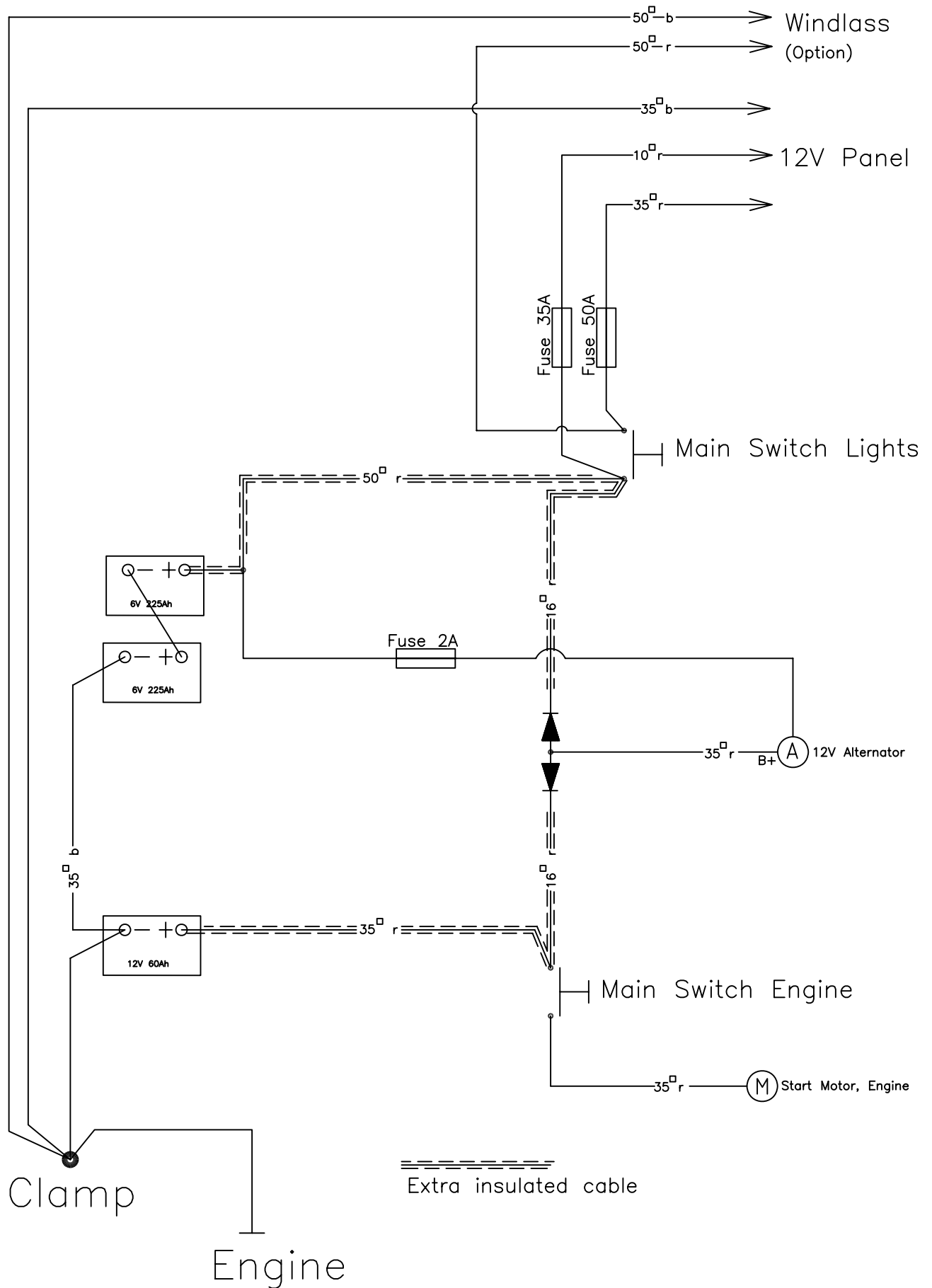


Low Current Outlet (12V or 24V)

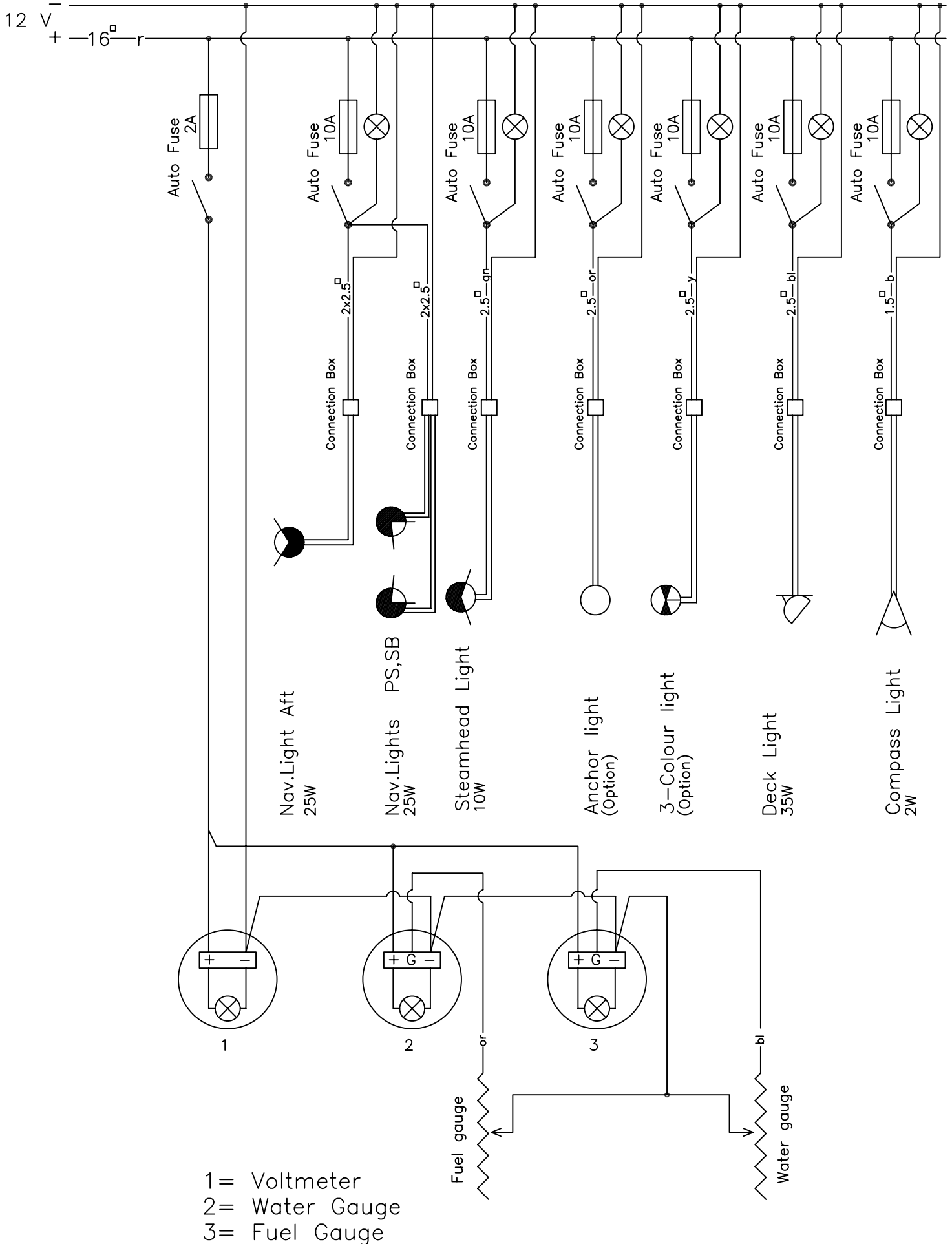


Colours:

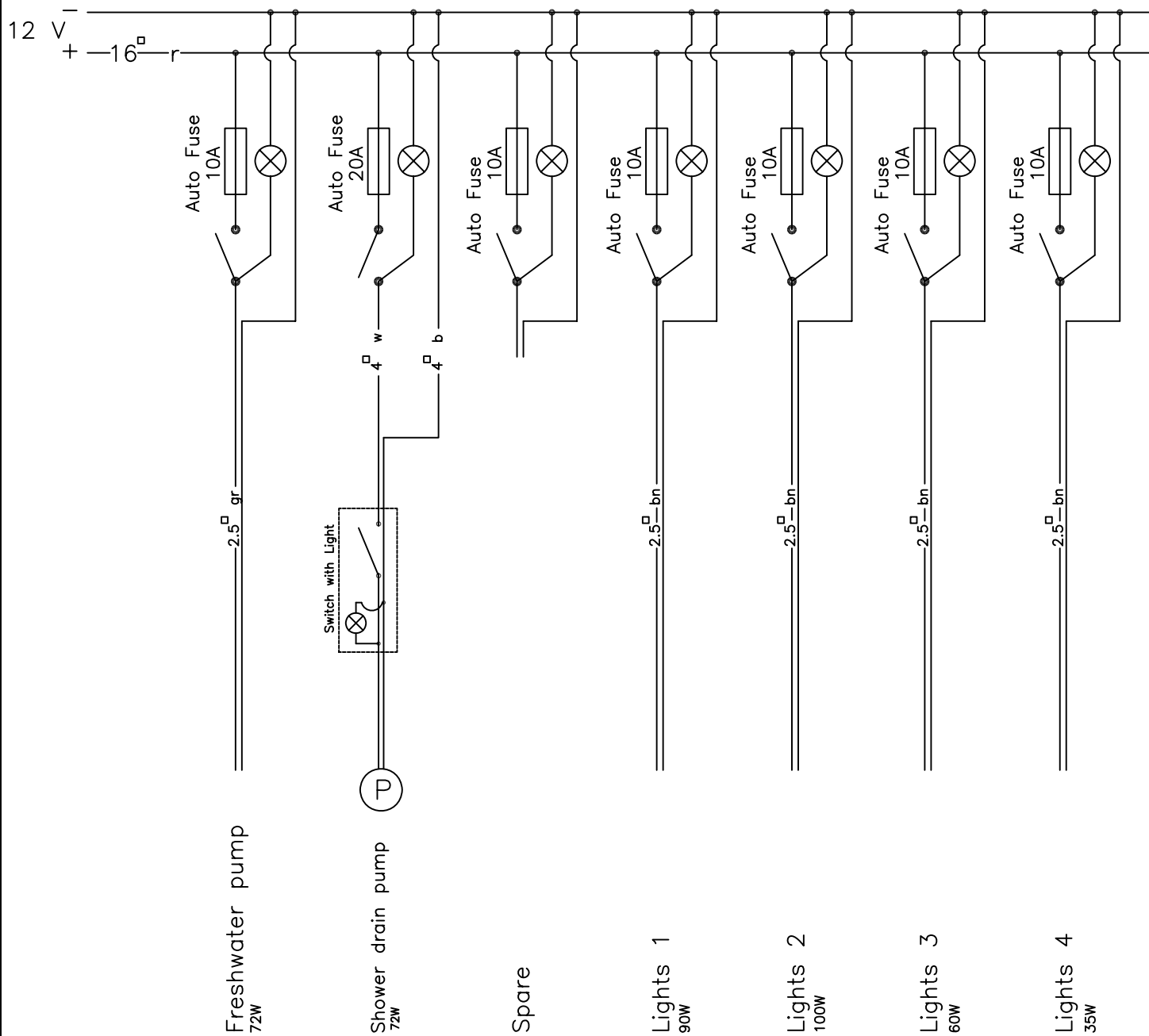
- w = white
- b = black
- r = red
- gr = grey
- gn = green
- y = yellow
- vi = violett
- or = orange
- bl = blue
- bn = brown
- tr = transparent



See wd.1



See wd.1



See wd.1

