

MAST.

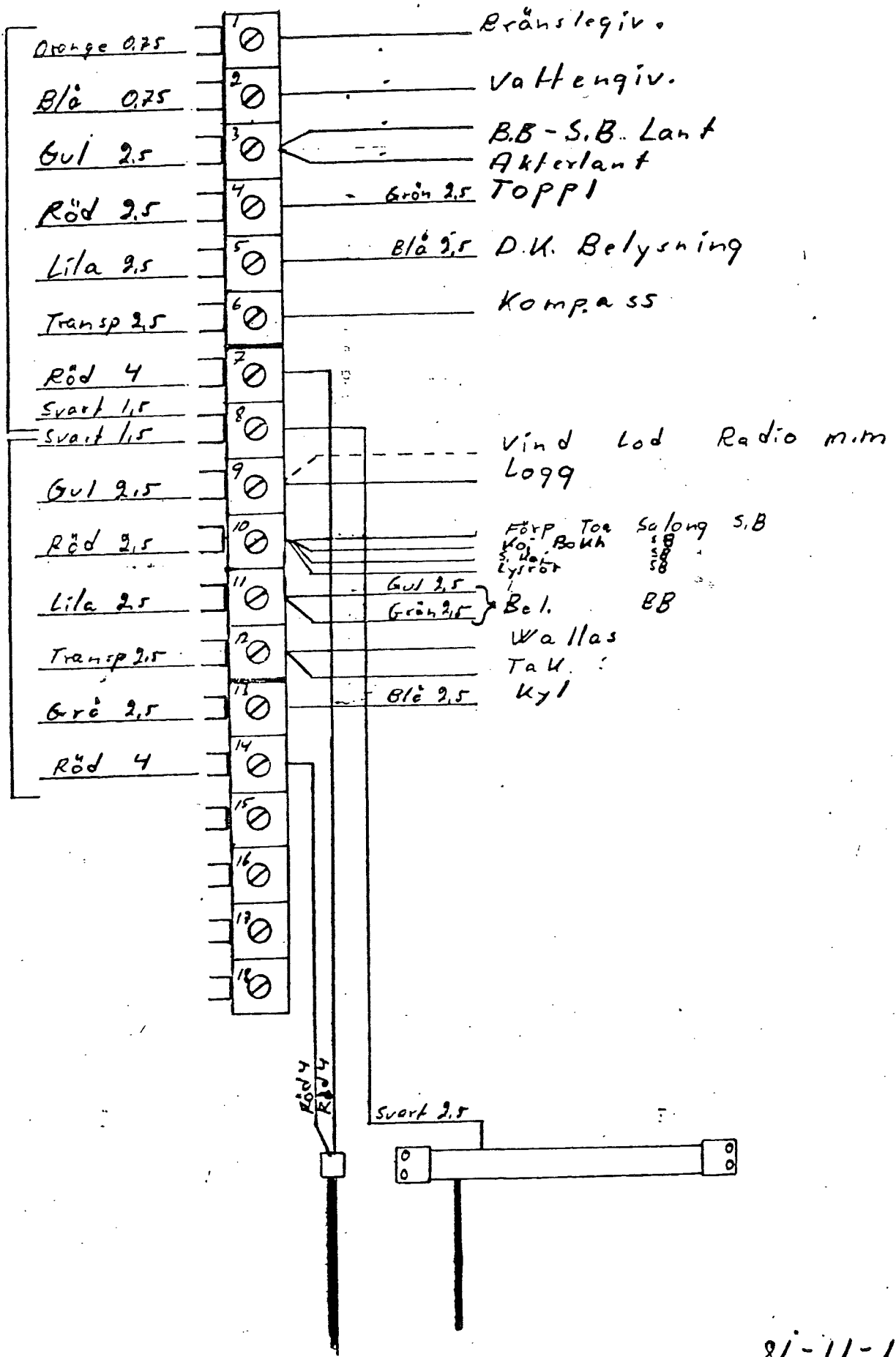
- GR = GRN
- GN = GRN
- GL = GUL
- SV = SVART
- K = RBD
- BR = BRUN
- BL = BLR
- OR = ORANGE
- GRY = GREY
- GRN = GREEN
- YEL = YELLOW
- BLK = BLACK
- RED = RED
- BROWN = BROWN
- BLU = BLUE
- ORNG = ORANGE

EL LEON, PAN
 WIRING DIAGRAM
 Verifikationsbeginns

HR312

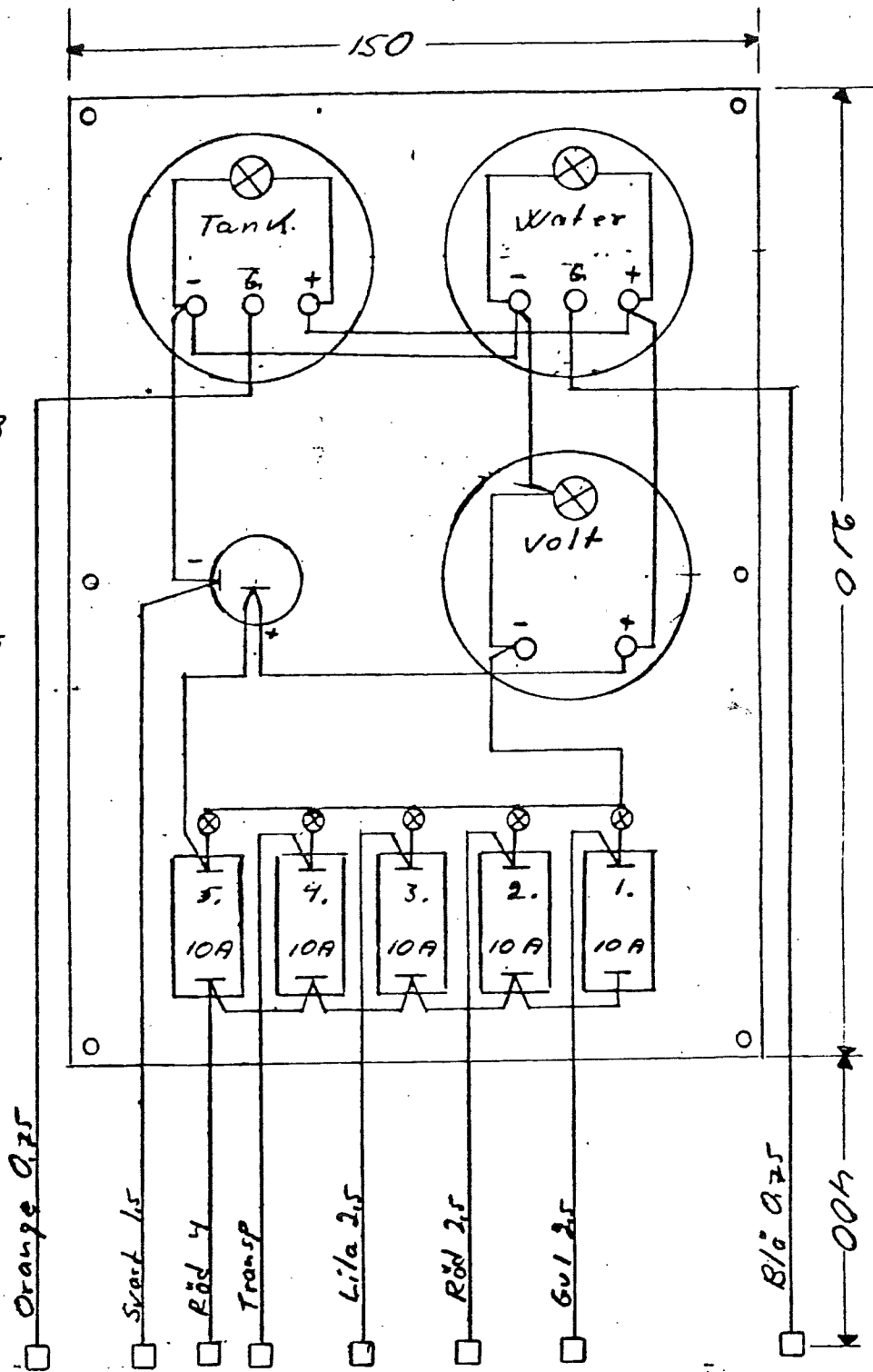
Panel 7

Panel 4



Panel typ F.

- Skyltar
 1 = BB/SB
 2 = Toppl
 3 = DK. Bel
 4 = Kompass
 5 = Instr.



Instrument

Tank. = VDO 306.272-001-001

Water = VDO 306.271-004-001.

Volt = VDO 431.304-001-001

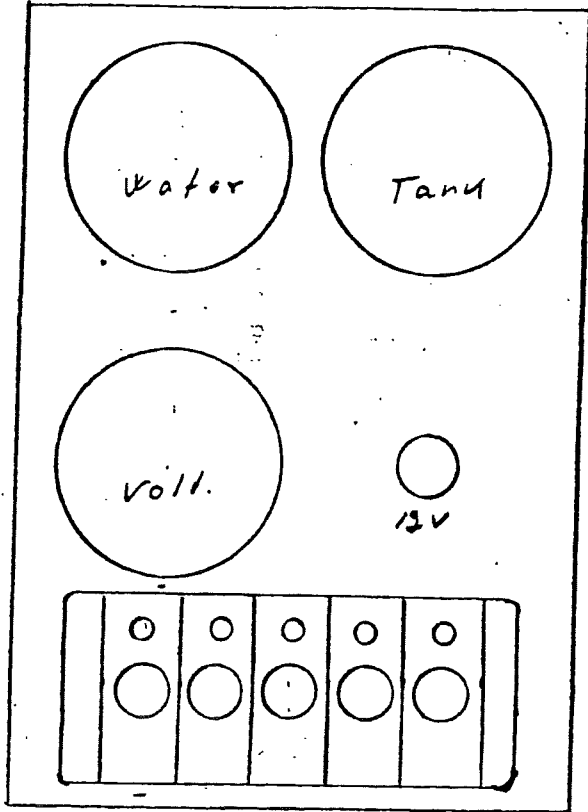
Verfärets teckning

O.B.S. Panelen sedd från Kopplingsidan

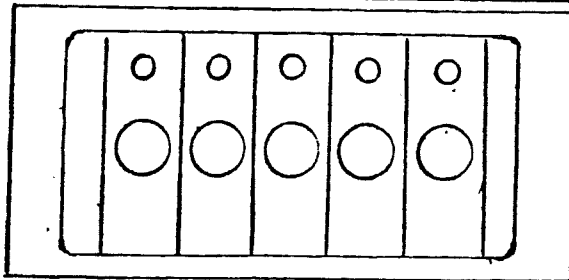
Panel HR 319

81-11-13

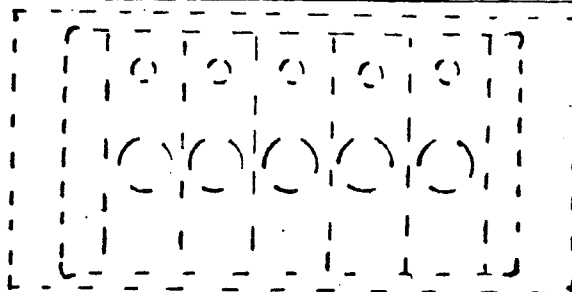
Verftets tegning



TYP 7.



TYP 4



Extrapanel