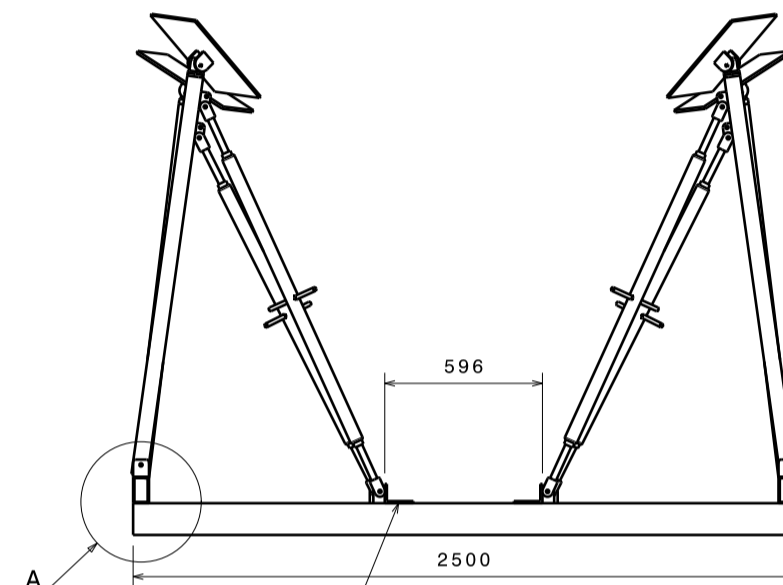
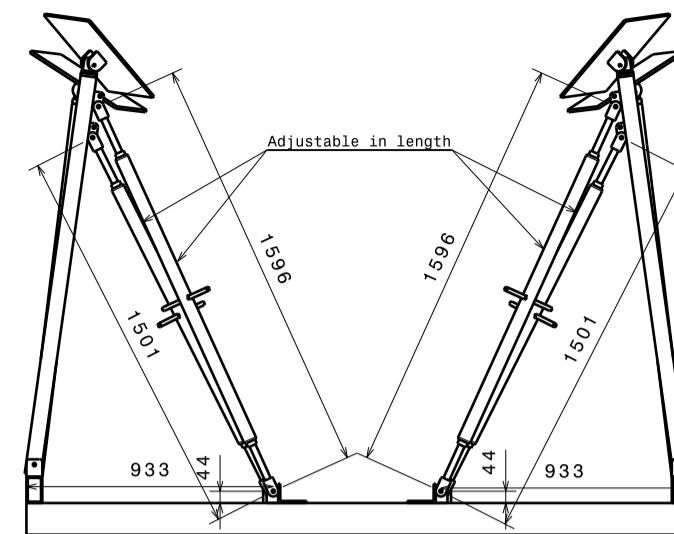
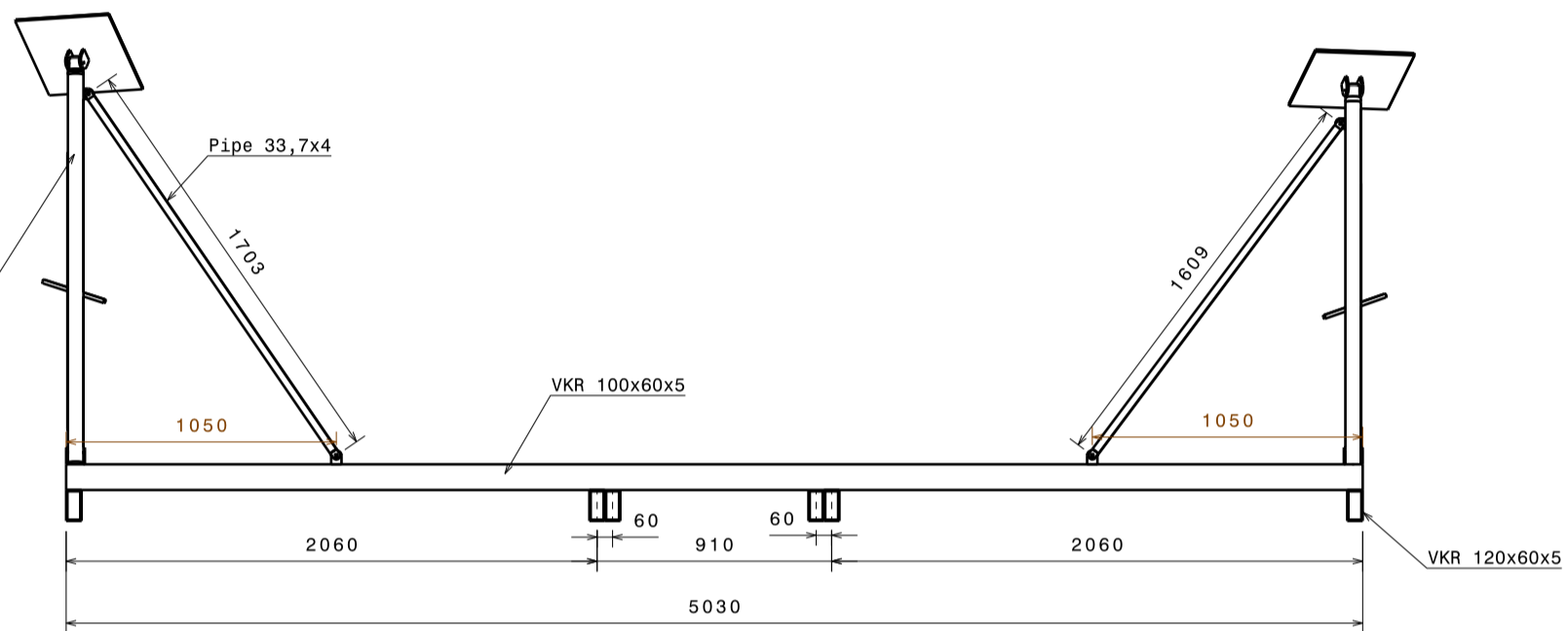


Detail A  
Scale: 1:5

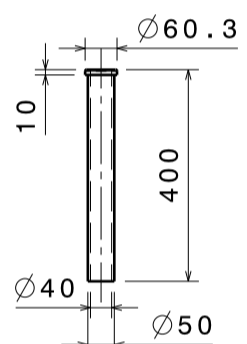


Left view  
Scale: 1:20



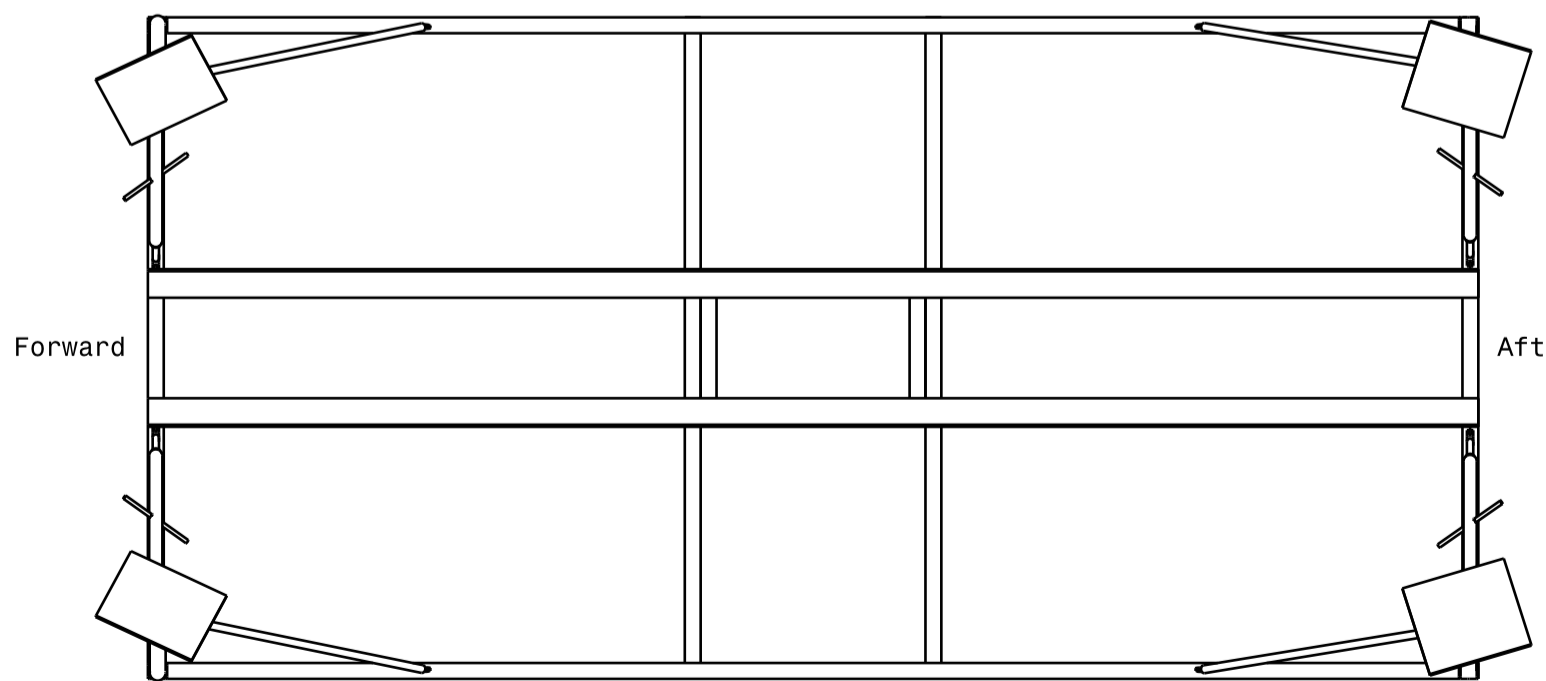
Side view  
Scale: 1:20

Pipe 60,3x4 or equal to adapt to fitting for Hullsupport (pos.2) or adding adaption in tube



Front view  
Scale: 1:10

Adaption for Seaquip art.no 110



Top view  
Scale: 1:20

**General notes**

**Material**

**Steel:**  
S355J2H, (S31312)

**Note:**

All sharp edges to be broken.

Painted

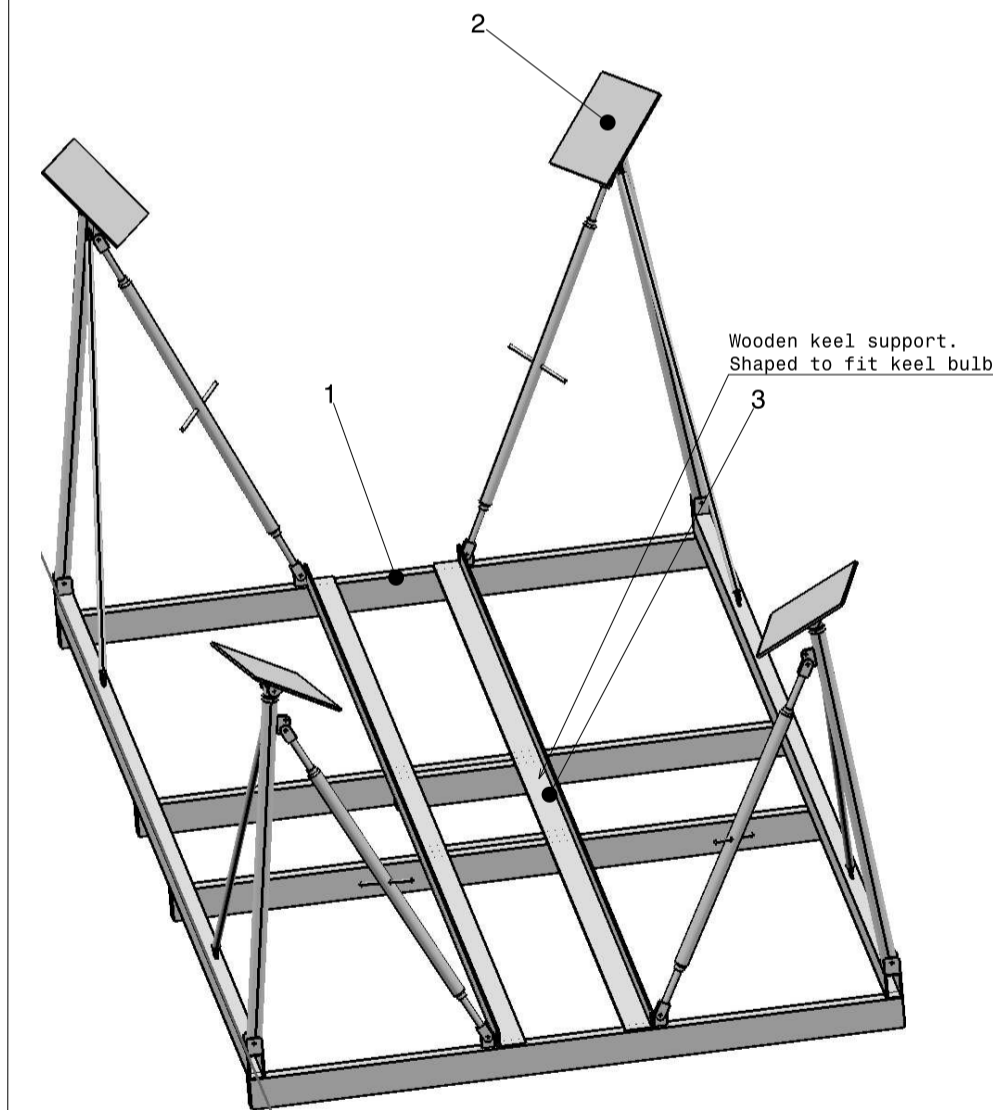
**Tolerance:**

Where else not specified.

According to DIN ISO 2768-m

For complete geometry see: CAD file

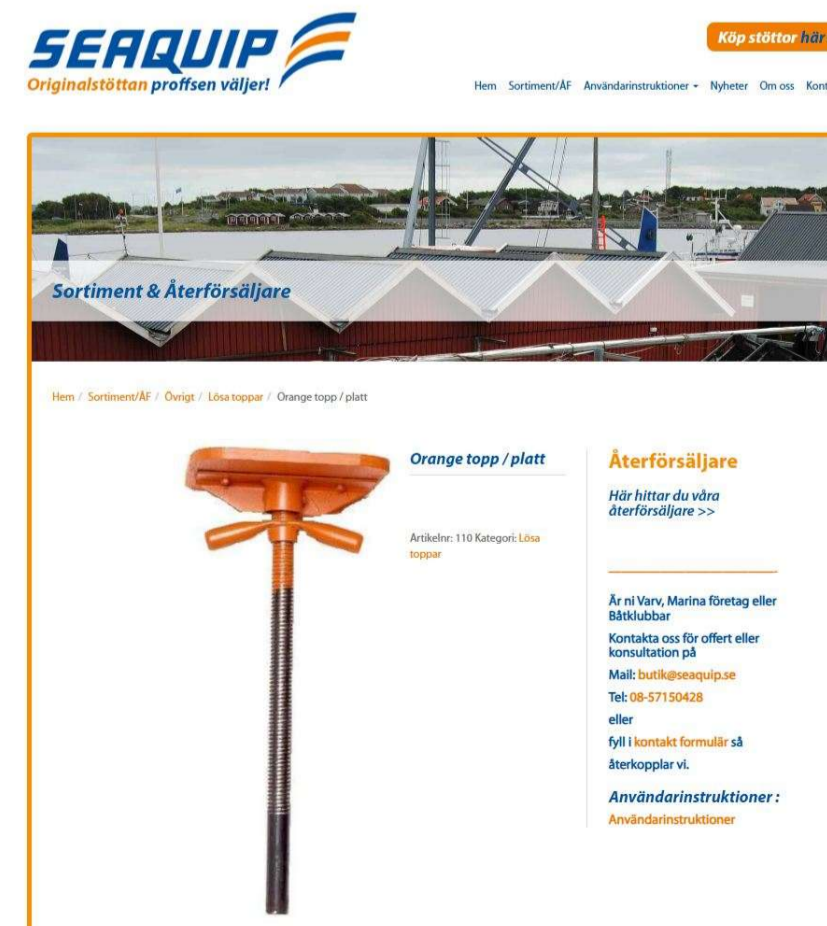
Bom - list			
No:	Pcs	Parts	Remarks
1	1	Steel frame	VKR 120x60x5 and VKR100x60x5
2	4	Hull support from Seaquip	art.no 110
3	1	Keel support	Individual for each HR-model



Isometric view  
N.T.S.

Cradle sketch  
Hallberg-Rassy renounce responsibility regarding measurements, measurements must be checked for each hull

<https://seaquip.se/sortiment/ovrigt/losa-toppar/orange-topp/>



Cradle for storage_size2		Drawing ID	Date
Cradle for storage 370, 400, 40C, 44		00004720	2026-03-17
Article No.	Issue No.	Scale	Sheet
		1/1	1/1
Formet A1			